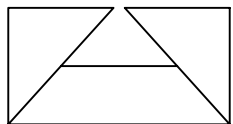


SUBMITTAL SHEET



from: **ANEMOSTAT**®

A MESTEK COMPANY

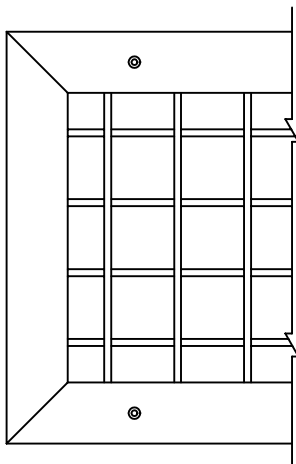
CARSON CA
310-835-7500

MODEL
XXW

TEXTILE-INDUSTRIAL
DOUBLE DEFLECTION
SUPPLY GRILLE

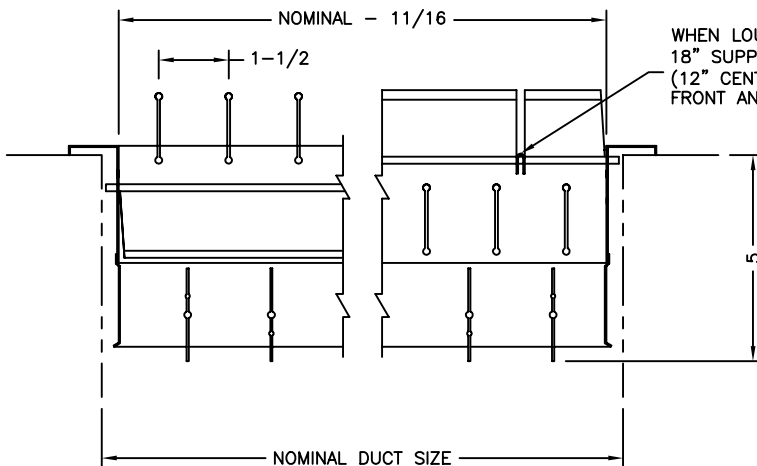
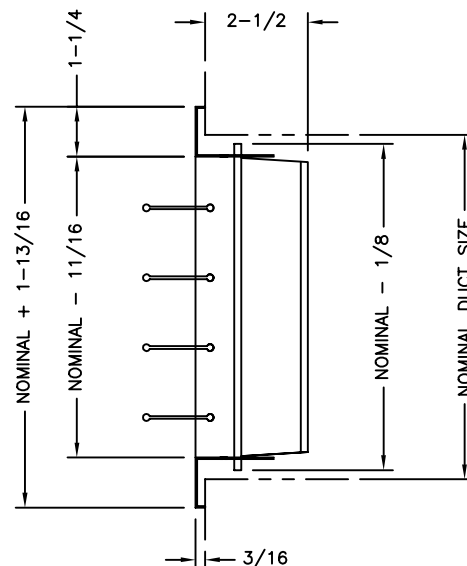
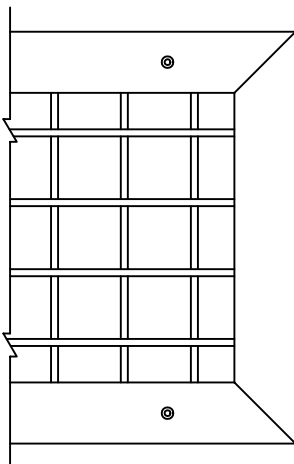
XXWV

- Front Louvers Vertical
- Rear Louvers Horizontal



XXWH

- Front Louvers Horizontal
- Rear Louvers Vertical



- Double deflection supply grille for large air quantities at low discharge velocities.
- All aluminum construction for easy cleaning and long lasting appearance.
- 1-1/2" deep, heavy duty louvers on 1-1/2" centers minimizes build up of dust, dirt, and lint particles
- Tensioned by heavy stainless steel wire interwoven at ends of louvers.
- Max. size one section 48 x 48.
- Finish: Arctic White

XXWV W/ OB

- Front Louvers Vertical
- Rear Louvers Horizontal
- Opposed Blade Damper

XXWH W/ OB

- Front Louvers Horizontal
- Rear Louvers Vertical
- Opposed Blade Damper

All Dimensions are in Inches

JOB NAME:	SUBMITTED BY:
LOCATION:	
ARCHITECT:	
ENGINEER:	
CONTRACTOR:	DWG # GRS-0151
	DATE 9-3-03 REV B