

Anemostat®

SUBMITTAL

A MESTEK COMPANY

1220 Watson Center Road • Carson, CA 90745-4206
 (310) 835-7500 • FAX (310) 835-0448
 air@anemostat.com • www.anemostat.com



Model FR3
HINGED RETURN FILTER GRILLE
 ALUMINUM BAR GRILLE CORE
 (ROTO CORE TYPE)
 CONCEALED SPLINE

GRILLES & REGISTERS

PRODUCT FEATURES

- Aluminum Bar Grille Core (Roto Core Style)
- Piano Hinge Construction
- 1/4-Turn Latch(es). Qty=2 on size 24" & up
- Concealed fastening thru neck of grille
- Recommended Filter Size (Actual) = (Nom Width -1/2") x (Nom Height -1/2")

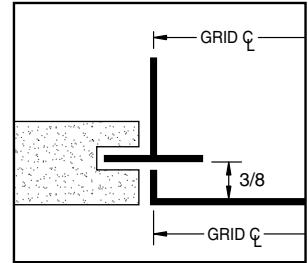
CONSTRUCTION DETAILS

Material:

- Steel
- Aluminum

Finish:

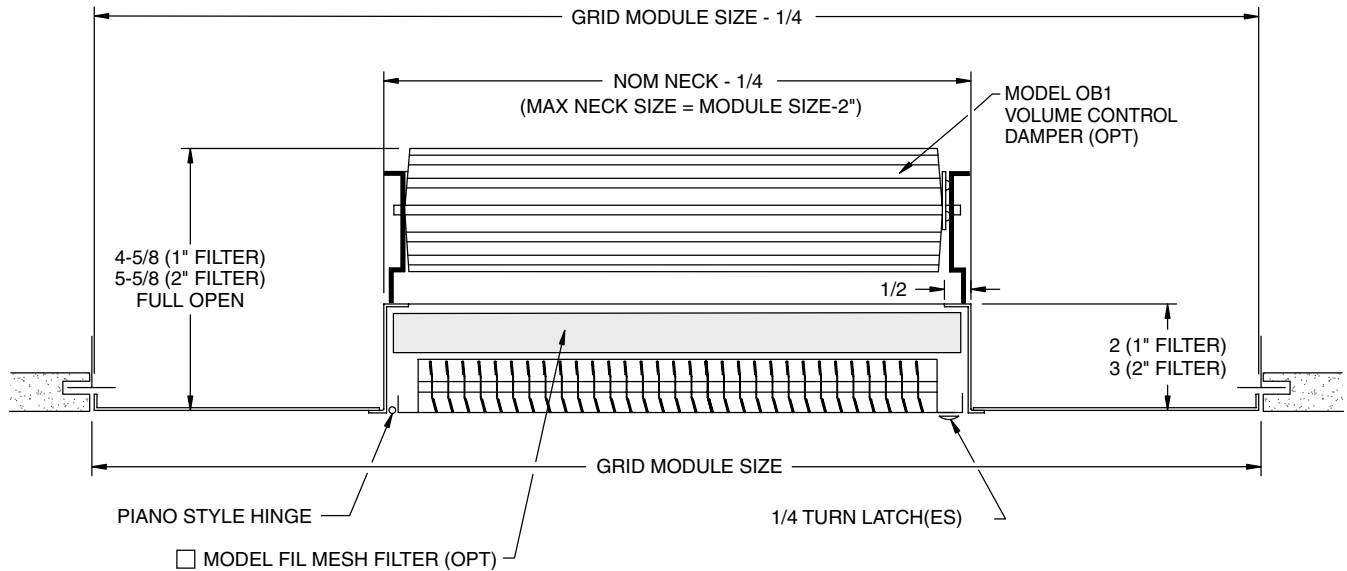
- Arctic White
- Satin Polish
- Custom Color _____



CONCEALED SPLINE

AVAILABLE SIZES

MODULE SIZE	MAX NECK SIZE
12 x 12	10 x 10
12 x 24	10 x 22
24 x 24	22 x 22
24 x 48	22 x 46



MODEL	FILTER SIZE	TYPE	BLADE DIR.	DUCT (W X H)	APPLICATION	MODULE
FR3	1L	H	L	12.00 / 12.00	C	22
Aluminum Bar Grille Core	1 1" Filter 2 2" Filter 1S 1" Filter, Hinge on Short Dim. 1L 1" Filter, Hinge on Long Dim. 2S 2" Filter, Hinge on Short Dim. 2L 2" Filter, Hinge on Long Dim.	Hinged Core	- N/A (Sq.) L Long Blade S Short Blade		Concealed Spline	- N/A 11 12" x 12" 12 12" x 24" 22 24" x 24" 24 24" x 48"

Dimensions are in inches (millimeters).

JOB NAME:

SUBMITTED BY: