



# Anemostat®

## SUBMITTAL

A MESTEK COMPANY

1220 Watson Center Road • Carson, CA 90745-4206  
 (310) 835-7500 • FAX (310) 835-0448  
 air@anemostat.com • www.anemostat.com



**Model FR3**  
**HINGED RETURN FILTER GRILLE**  
 ALUMINUM BAR GRILLE CORE  
 (ROTO CORE TYPE)  
 9/16" NARROW SLOT

## GRILLES & REGISTERS

### PRODUCT FEATURES

- Aluminum Bar Grille Core (Roto Core Style)
- Piano Hinge Construction
- 1/4-Turn Latch(es). Qty=2 on size 24" & up
- Concealed fastening thru neck of grille
- Recommended Filter Size (Actual) = (Nom Width -1/2") x (Nom Height -1/2")

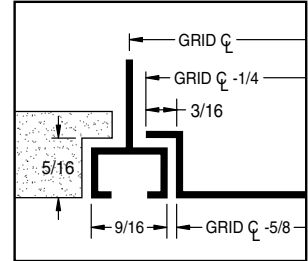
### CONSTRUCTION DETAILS

#### Material:

- Steel
- Aluminum

#### Finish:

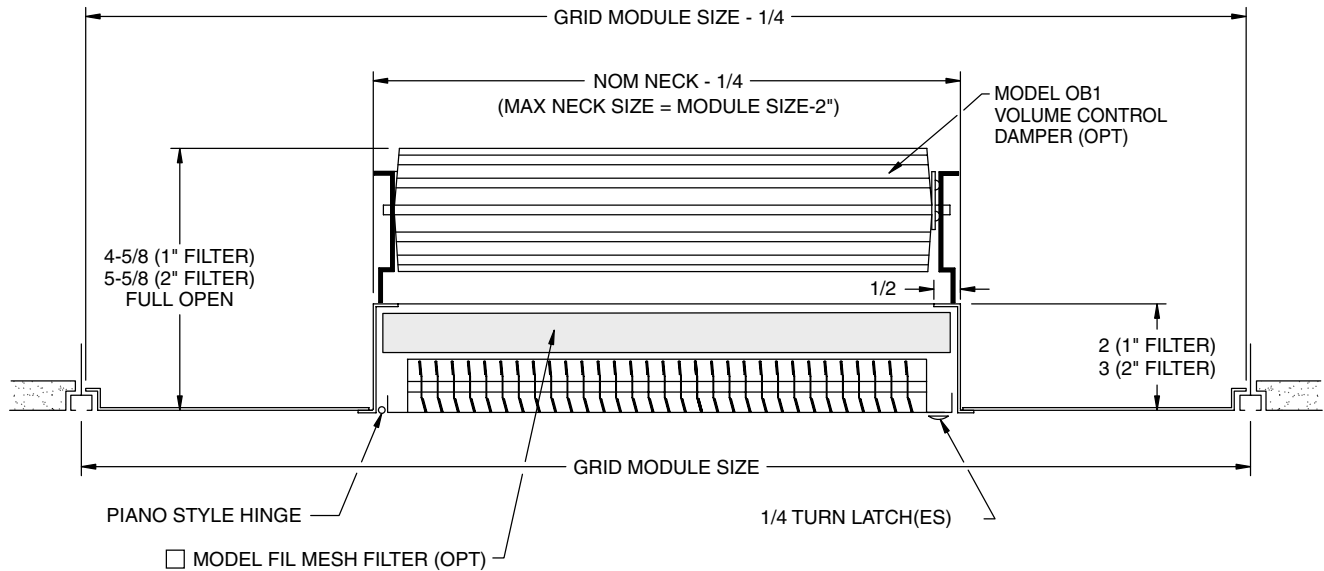
- Arctic White
- Satin Polish
- Custom Color \_\_\_\_\_



9/16" NARROW SLOT

### AVAILABLE SIZES

MODULE SIZE	MAX NECK SIZE
12 x 12	10 x 10
12 x 24	10 x 22
24 x 24	22 x 22
24 x 48	22 x 46



MODEL	FILTER SIZE	TYPE	BLADE DIR.	DUCT (W X H)	APPLICATION	MODULE
<b>FR3</b>	<b>1L</b>	<b>H</b>	<b>L</b>	<b>12.00 / 12.00</b>	<b>D</b>	<b>22</b>
Aluminum Bar Grille Core	1 1" Filter 2 2" Filter 1S 1" Filter, Hinge on Short Dim. 1L 1" Filter, Hinge on Long Dim. 2S 2" Filter, Hinge on Short Dim. 2L 2" Filter, Hinge on Long Dim.	Hinged Core	- N/A (Sq.) L Long Blade S Short Blade		9/16" Narrow Slot	- N/A 11 12" x 12" 12 12" x 24" 22 24" x 24" 24 24" x 48"

Dimensions are in inches (millimeters).

JOB NAME:

SUBMITTED BY: