

**Anemostat**<sup>®</sup>  
**SUBMITTAL**  
 A MESTEK COMPANY

1220 Watson Center Road • Carson, CA 90745-4206  
 (310) 835-7500 • FAX (310) 835-0448  
 air@anemostat.com • www.anemostat.com



Model **FR3**  
**HINGED RETURN FILTER GRILLE**  
 ALUMINUM BAR GRILLE CORE  
 (ROTO CORE TYPE)  
 SURFACE MOUNTED

## GRILLES & REGISTERS

### PRODUCT FEATURES

- Aluminum Bar Grille Core (Roto Core Style)
- Piano Hinge Construction
- 1/4-Turn Latch(es). Qty=2 on size 24" & up
- Concealed fastening thru neck of grille
- Sizes 6" x 4" to 48" x 48" maximum single piece construction
- Recommended Filter Size (Actual) = (Nom Width - 1/2") x (Nom Height - 1/2")

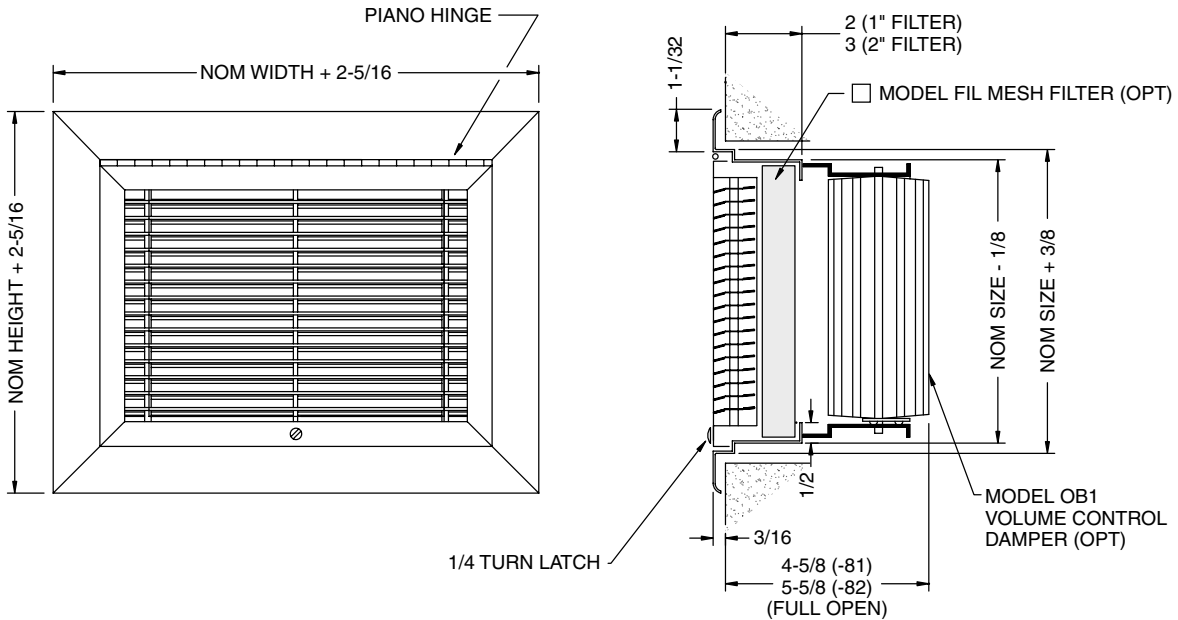
### CONSTRUCTION DETAILS

**Material:**

- Aluminum

**Finish:**

- Arctic White  
 Satin Polish  
 Custom Color \_\_\_\_\_



MODEL	FILTER SIZE	TYPE	BLADE DIR.	DUCT (W X H)
<b>FR3</b>	<b>1L</b>	<b>H</b>	<b>L</b>	<b>24.00 / 12.00</b>
Aluminum Bar Grille Core	1 1" Filter 2 2" Filter 1S 1" Filter, Hinge on Short Dim. 1L 1" Filter, Hinge on Long Dim. 2S 2" Filter, Hinge on Short Dim. 2L 2" Filter, Hinge on Long Dim.	Hinged Core	- N/A (Sq.) L Long Blade S Short Blade	06.00 to 48.00 6" up to 48"

Dimensions are in inches (millimeters).

JOB NAME:

SUBMITTED BY: