

Anemostat®

SUBMITTAL

A MESTEK COMPANY

1220 Watson Center Road • Carson, CA 90745-4206
 (310) 835-7500 • FAX (310) 835-0448
 air@anemostat.com • www.anemostat.com



Model FE30
HINGED RETURN FILTER GRILLE
ENHANCED CAPACITY
45° DEFLECTION
3/4" BLADE SPACING
SURFACE MOUNTED

GRILLES & REGISTERS

PRODUCT FEATURES

- 3/4" Louver Spacing
- Piano Hinge Construction
- 1/4-Turn Latch(es). Qty=2 on size 24" & up
- Concealed fastening thru neck of grille
- Core deflection opposite hinge side as shown (default, as applicable)
- Louvers parallel to short or long dimension
- Sizes 6" x 4" to 48" x 48" maximum single piece construction
- Recommended Filter Size (Actual) = (Nom Width - 1/2") x (Nom Height - 1/2")

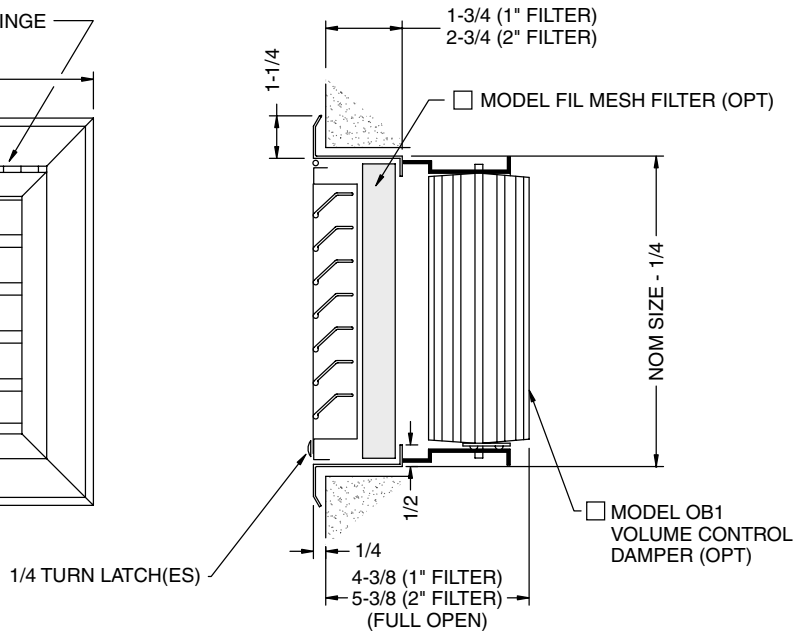
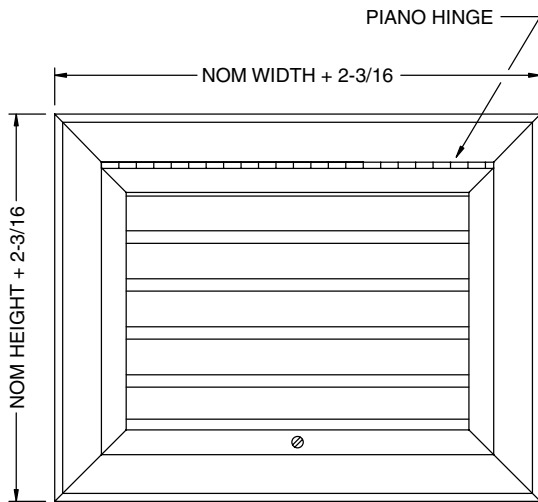
CONSTRUCTION DETAILS

Material:

- Steel

Finish:

- Arctic White
 Satin Polish
 Custom Color _____



MODEL	FILTER SIZE	TYPE	BLADE DIR.	DEFL.	DUCT (W X H)
FE30	1L	H	L	45	24.00 / 12.00
3/4" Blade Spacing	1 1" Filter 2 2" Filter 1S 1" Filter, Hinge on Short Dim. 1L 1" Filter, Hinge on Long Dim. 2S 2" Filter, Hinge on Short Dim. 2L 2" Filter, Hinge on Long Dim.	Hinged Core	- N/A (Sq.) L Long Blade S Short Blade	45°	06.00 to 48.00 6" up to 48"

Dimensions are in inches (millimeters).

JOB NAME:

SUBMITTED BY: