

SUBMITTAL SHEET

www.anemostat-hvac.com

1-1/2" SLOT WIDTH

CONCEALED / BORDERLESS FRAME (V)

PRODUCT FEATURES

- Concealed frame for use with tile, masonry, & millwork surfaces. For GWB applications, use Border BF (Mud-In Frame)
- Adjustable volume and pattern controllers
- Hardware package includes duct mounting brackets & screws, and alignment strips (where a continuous run consists of multiple sections)
- Anemostat Model AD plenums are ordered and shipped separate from the diffusers (plenum Length to order = Diffuser Nominal Size)
- Nominal Length is the order size
- Flush end caps are removable

CONSTRUCTION FEATURES

Material: Extruded Aluminum

Finish:

- Arctic White Outer Frame (Black Pattern/Volume Controllers)
- Gloss Black - Outer Frame & Pattern / Volume Controllers
- Custom Color : _____

SUPPLY MODELS

FF-V-150 1" Slot Width

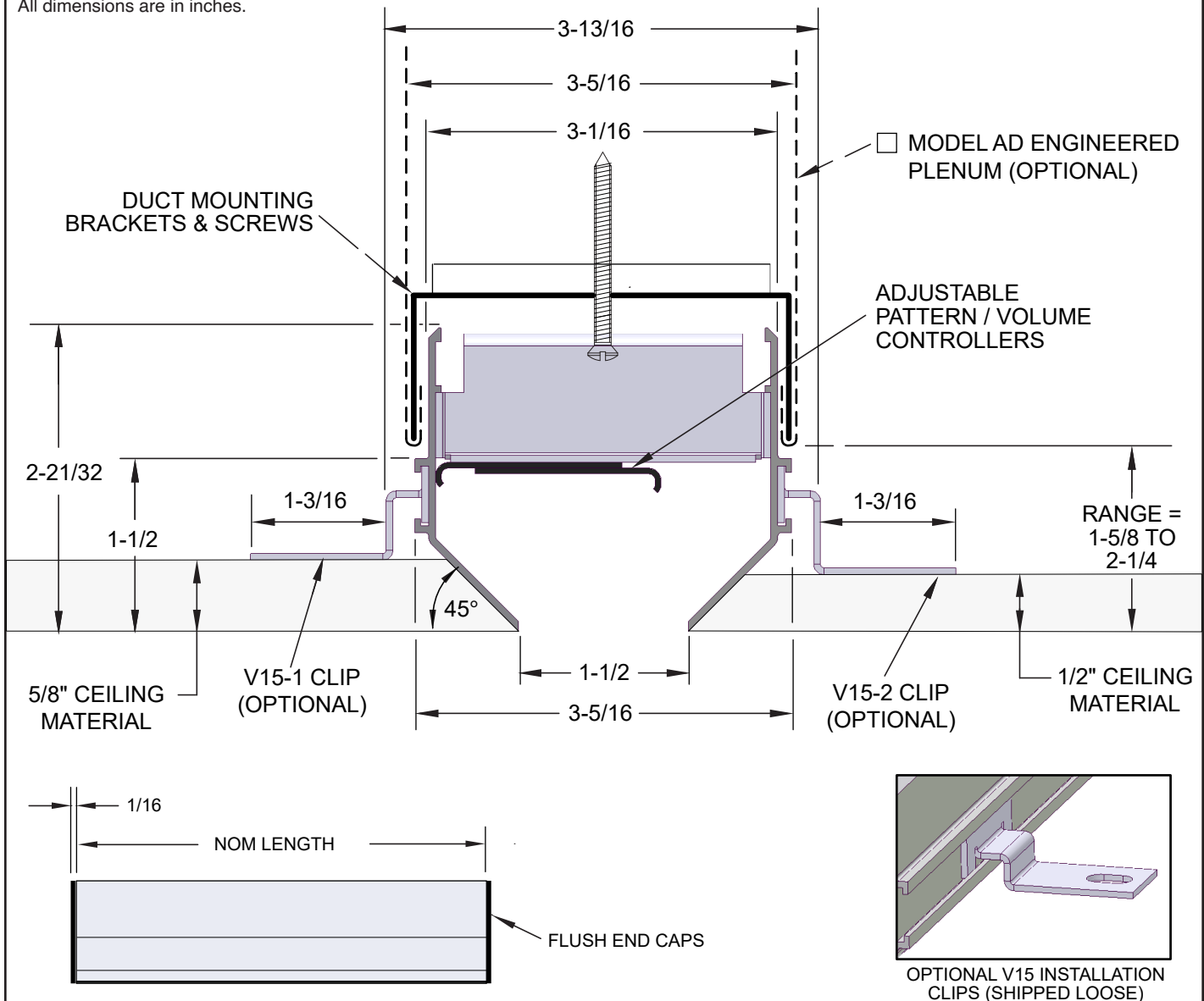
RETURN MODELS (No Internal Controllers)

FFR-V-150 1" Slot Width

OPTIONS

- AD** Engineered Air Distribution Plenum
- LEC** Linear Egg Crate
- LED** Linear Equalizing Deflector

All dimensions are in inches.



JOB NAME:

SUBMITTED BY: