

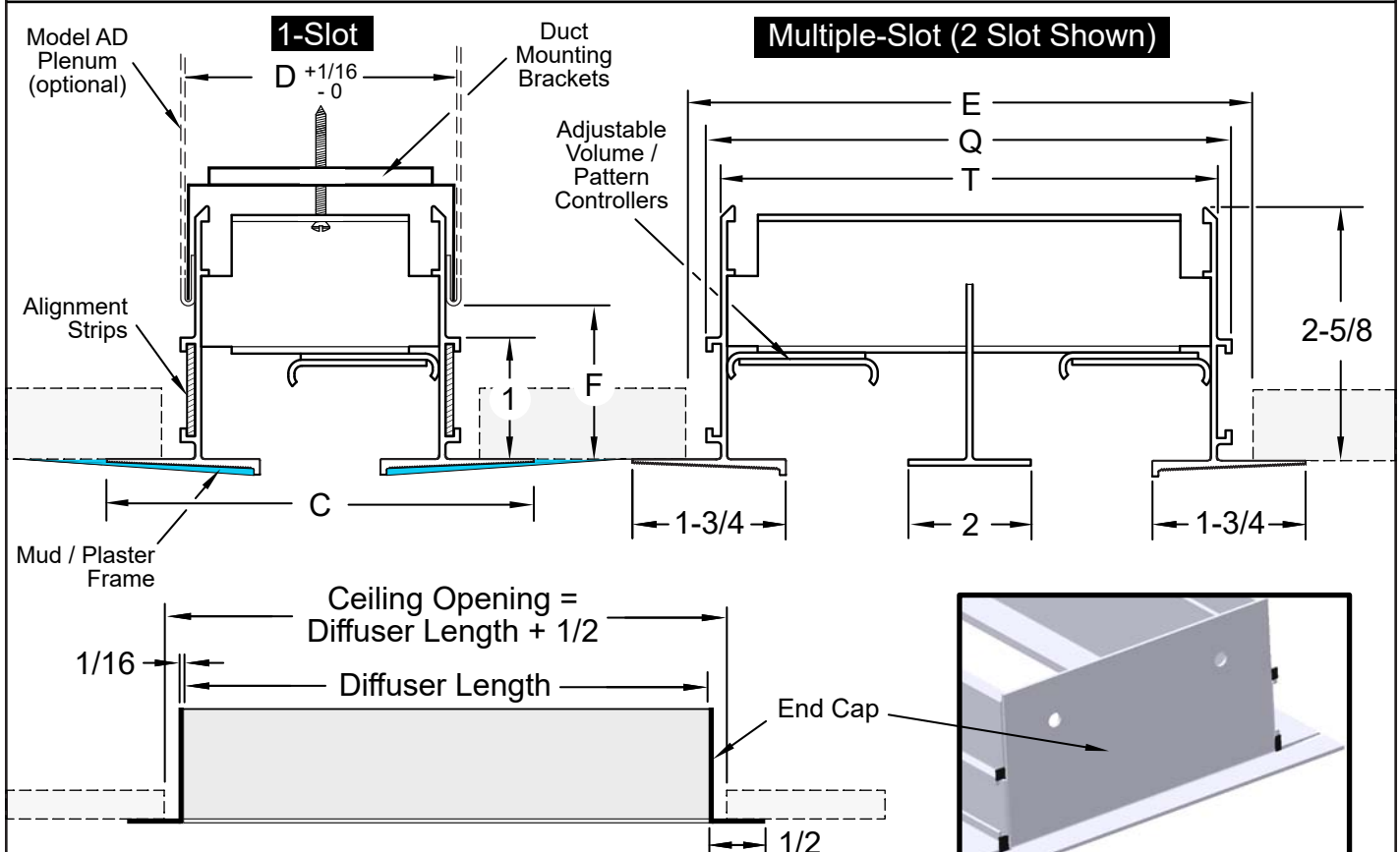
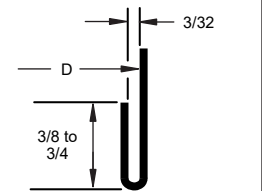
# SUBMITTAL SHEET

www.anemostat-hvac.com

Architectural Linear Slot Diffusers

Plaster - Mud Frame / Border

**2" Slot Width**

<p><b>PRODUCT FEATURES</b></p> <ul style="list-style-type: none"> <li>• Pattern / volume controllers field adjusted for horizontal to vertical air discharge directions</li> <li>• Diffuser lengths can be ordered in 1/32" increments</li> <li>• Diffuser end caps factory attached &amp; tap onto diffuser ends</li> <li>• Continuous run applications use multiple diffusers using alignment strips in keyways (included if applicable)</li> <li>• Includes plenum mounting brackets and screws</li> <li>• See <b>Model AD</b> Air Distribution plenums engineered for use with this diffuser (optional)</li> </ul>	<p><b>CONSTRUCTION DETAILS</b></p> <ul style="list-style-type: none"> <li>• Extruded aluminum, adjustable linear slot diffuser</li> </ul> <p><b>Finish:</b></p> <p><input type="checkbox"/> Arctic White powder coat outer frames and center tees. Black volume / pattern controllers</p> <p><input type="checkbox"/> Optional Anemostat Color _____</p> <p><input type="checkbox"/> Custom Color Match _____</p>	<p><b>MODELS</b></p> <p><input type="checkbox"/> <b>FFBF-200</b>    <b>Supply</b></p> <p><input type="checkbox"/> <b>FFRBF-200</b>    <b>Return</b></p> <p>(Return model excludes Volume / Pattern Controllers)</p>																																					
																																							
<ul style="list-style-type: none"> <li>• Diffuser Length = Order Size and is actual cut length of linear diffuser (excludes end caps)</li> <li>• End caps can be added or removed from the diffuser in the field</li> <li>• Model AD Plenum Order Length = Model FFBF Order Length</li> </ul> <p style="text-align: right;">All dimensions are in inches.</p>																																							
<table border="1" style="width:100%; border-collapse: collapse;"> <thead> <tr> <th>Models</th> <th>Slot Width</th> <th># of Slots</th> <th>E Ceiling Opening</th> <th>C</th> <th>D</th> <th>T</th> <th>Q</th> <th>F Range</th> </tr> </thead> <tbody> <tr> <td rowspan="4">FFBF-200 FFRBF-200</td> <td rowspan="4">2</td> <td>1</td> <td>4-3/8</td> <td>5-1/2</td> <td>4-5/16</td> <td>4-1/16</td> <td>4-11/32</td> <td rowspan="4">1-25/32 to 2-5/32</td> </tr> <tr> <td>2</td> <td>8-3/8</td> <td>9-1/2</td> <td>8-5/16</td> <td>8-1/16</td> <td>8-11/32</td> </tr> <tr> <td>3</td> <td>12-3/8</td> <td>13-1/2</td> <td>12-5/16</td> <td>12-1/16</td> <td>12-11/32</td> </tr> <tr> <td>4</td> <td>16-3/8</td> <td>17-1/2</td> <td>16-5/16</td> <td>16-1/16</td> <td>16-11/32</td> </tr> </tbody> </table>		Models	Slot Width	# of Slots	E Ceiling Opening	C	D	T	Q	F Range	FFBF-200 FFRBF-200	2	1	4-3/8	5-1/2	4-5/16	4-1/16	4-11/32	1-25/32 to 2-5/32	2	8-3/8	9-1/2	8-5/16	8-1/16	8-11/32	3	12-3/8	13-1/2	12-5/16	12-1/16	12-11/32	4	16-3/8	17-1/2	16-5/16	16-1/16	16-11/32	 <p>Recommended Hem Detail (Duct must be hemmed to use mounting brackets)</p>	
Models	Slot Width	# of Slots	E Ceiling Opening	C	D	T	Q	F Range																															
FFBF-200 FFRBF-200	2	1	4-3/8	5-1/2	4-5/16	4-1/16	4-11/32	1-25/32 to 2-5/32																															
		2	8-3/8	9-1/2	8-5/16	8-1/16	8-11/32																																
		3	12-3/8	13-1/2	12-5/16	12-1/16	12-11/32																																
		4	16-3/8	17-1/2	16-5/16	16-1/16	16-11/32																																
<p><b>JOB NAME:</b> _____</p>		<p><b>SUBMITTED BY:</b> _____</p>																																					