

SUBMITTAL SHEET

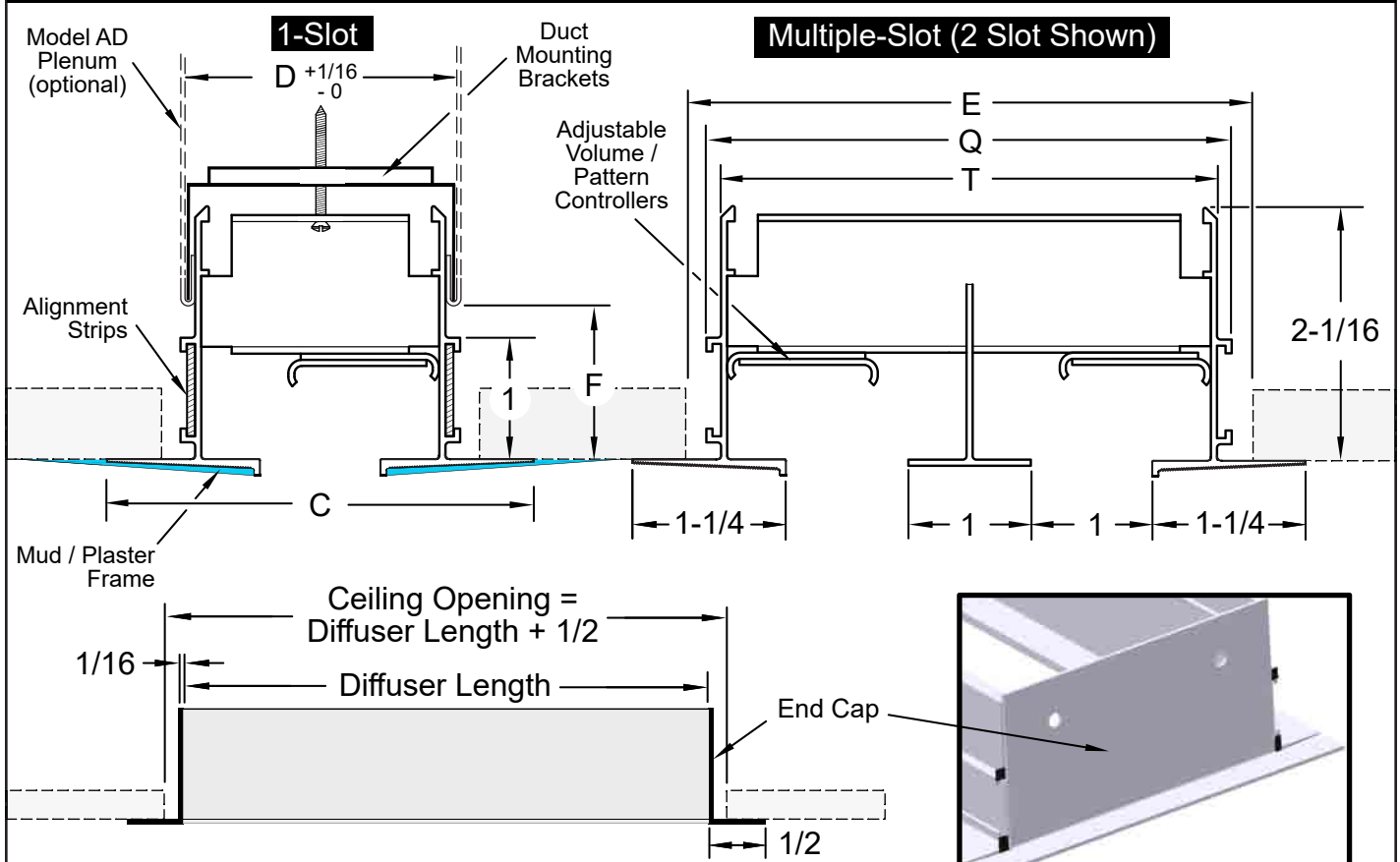
www.anemostat-hvac.com

Architectural Linear Slot Diffusers

Plaster - Mud Frame / Border

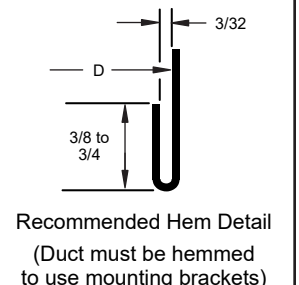
1" Slot Width

PRODUCT FEATURES	CONSTRUCTION DETAILS	MODELS
<ul style="list-style-type: none"> • Pattern / volume controllers field adjusted for horizontal to vertical air discharge directions • Diffuser lengths can be ordered in 1/32" increments • Diffuser end caps factory attached & tap onto diffuser ends • Continuous run applications use multiple diffusers using alignment strips in keyways (included if applicable) • Includes plenum mounting brackets and screws • See Model AD Air Distribution plenums engineered for use with this diffuser (optional) 	<ul style="list-style-type: none"> • Extruded aluminum, adjustable linear slot diffuser Finish: <ul style="list-style-type: none"> <input type="checkbox"/> Black outer frames & volume / pattern controllers, white center T's <input type="checkbox"/> Optional Anemostat Color _____ <input type="checkbox"/> Custom Color Match _____ 	<ul style="list-style-type: none"> <input type="checkbox"/> FFBF-100 Supply <input type="checkbox"/> FFRBF-100 Return (Return model excludes Volume / Pattern Controllers)



- Diffuser Length = Order Size and is actual cut length of linear diffuser (excludes end caps)
 - End caps can be added or removed from the diffuser in the field
 - Model AD Pleum Order Length = Model FFBF Order Length
- All dimensions are in inches.

Models	Slot Width	# of Slots	E Ceiling Opening	C	D	T	Q	F Range
FFBF-100 FFRBF-100	1	1	2-3/8	3-1/2	2-5/16	2-1/16	2-9/32	1-1/4 to 1-5/8
		2	4-3/8	5-1/2	4-5/16	4-1/16	4-9/32	
		3	6-3/8	7-1/2	6-5/16	6-1/16	6-9/32	
		4	8-3/8	9-1/2	8-5/16	8-1/16	8-9/32	



JOB NAME: _____ **SUBMITTED BY:** _____