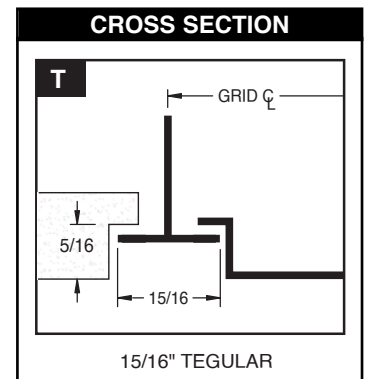
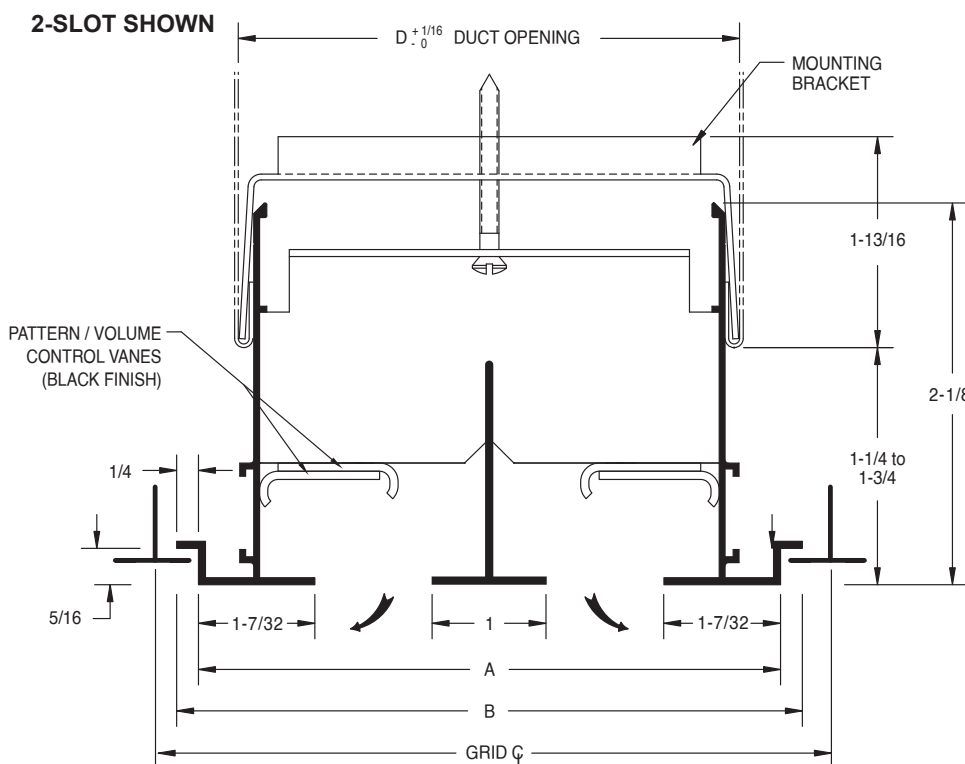
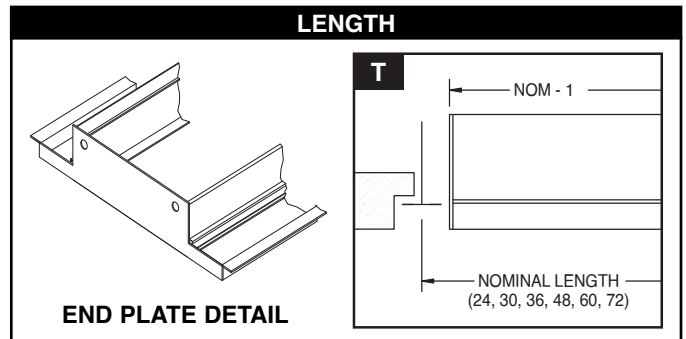


# SUBMITTAL SHEET

www.anemostat-hvac.com

PRODUCT FEATURES	CONSTRUCTION DETAILS	MODELS
<ul style="list-style-type: none"> <li>• Designed for use with 15/16" Tegular suspended grid systems</li> <li>• Standard lengths = 24", 30", 36", 48", 60", 72" (custom lengths available)</li> <li>• Includes plenum mounting brackets and screws</li> <li>• See Model AD Air Distribution plenums engineered for use with this diffuser</li> </ul>	<ul style="list-style-type: none"> <li>• Extruded aluminum, adjustable linear slot diffuser</li> </ul> <b>Finish:</b> <ul style="list-style-type: none"> <li><input type="checkbox"/> Arctic White border and Center Tees Black Volume / Pattern Controllers</li> <li><input type="checkbox"/> Optional Anemostat Color _____</li> <li><input type="checkbox"/> Custom Color Match _____</li> </ul>	<b>Supply Diffusers</b> <input type="checkbox"/> <b>FF-T-100</b> 1" Slot Width <b>Returns (No Volume / Pattern Controllers)</b> <input type="checkbox"/> <b>FFR-T-100</b> 1" Slot Width  Model AD Plenum Order Size Length = Grid Module Size - 1"

FF-T-100 • 1" SLOT WIDTH				
# SLOTS	GRID $\text{C}\bar{\text{L}}$	A	B	D
1	4-3/8	3-13/32	3-29/32	2-5/16
2	6-3/8	5-13/32	5-29/32	4-5/16
3	8-3/8	7-13/32	7-29/32	6-5/16
4	10-3/8	9-13/32	9-29/32	8-5/16



All dimensions are in inches.

JOB NAME:

SUBMITTED BY: