

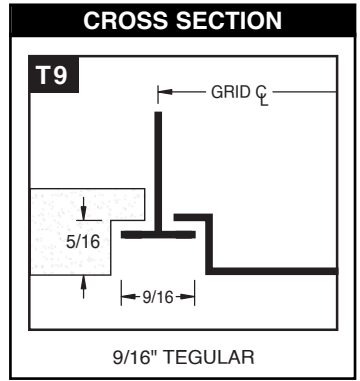
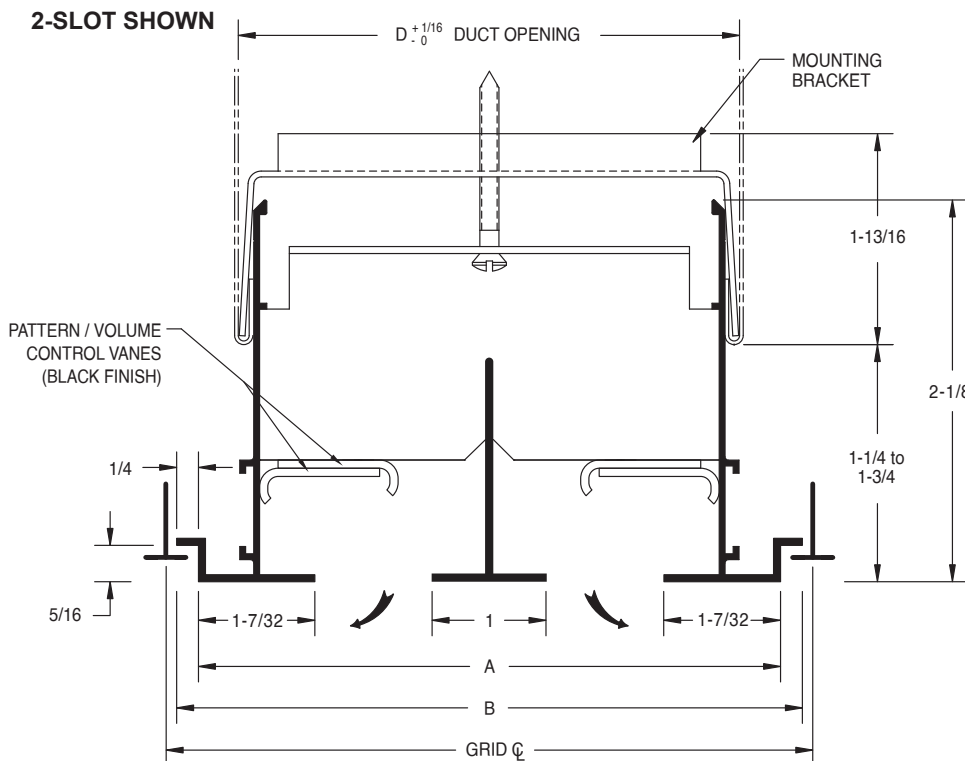
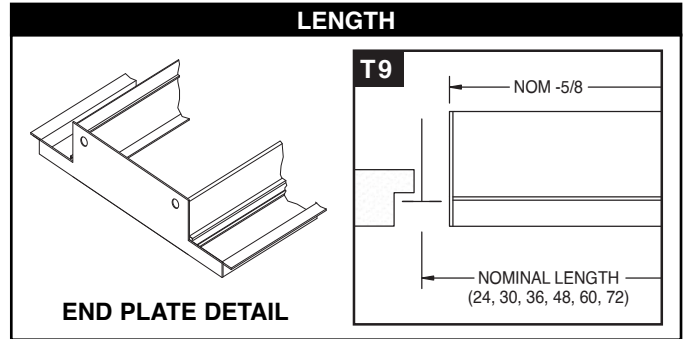
SUBMITTAL SHEET

www.anemostat-hvac.com

 Architectural Linear Diffuser
 9/16" Tegular Grid Systems
 1" Slot Width

PRODUCT FEATURES	CONSTRUCTION DETAILS	MODELS
<ul style="list-style-type: none"> • Designed for use with 9/16" Tegular suspended grid systems • Standard lengths = 24", 30", 36", 48", 60", 72" (custom lengths available) • Includes plenum mounting brackets and screws • See Model AD Air Distribution plenums engineered for use with this diffuser 	<ul style="list-style-type: none"> • Extruded aluminum, adjustable linear slot diffuser Finish: <ul style="list-style-type: none"> <input type="checkbox"/> Arctic White border and Center Tees Black Volume / Pattern Controllers <input type="checkbox"/> Optional Anemostat Color _____ <input type="checkbox"/> Custom Color Match _____ 	Supply Diffusers <input type="checkbox"/> FF-T9-100 1" Slot Width Returns (No Volume / Pattern Controllers) <input type="checkbox"/> FFR-T9-100 1" Slot Width Model AD Plenum Order Size Length = Grid Module Size - 5/8"

FF-T9-100 • 1" SLOT WIDTH				
# SLOTS	GRID \varnothing	A	B	D
1	4	3-13/32	3-29/32	2-5/16
2	6	5-13/32	5-29/32	4-5/16
3	8	7-13/32	7-29/32	6-5/16
4	10	9-13/32	9-29/32	8-5/16



All dimensions are in inches.

JOB NAME:	SUBMITTED BY:
------------------	----------------------