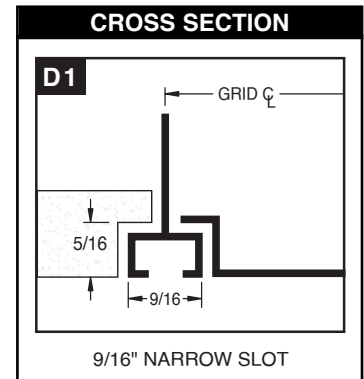
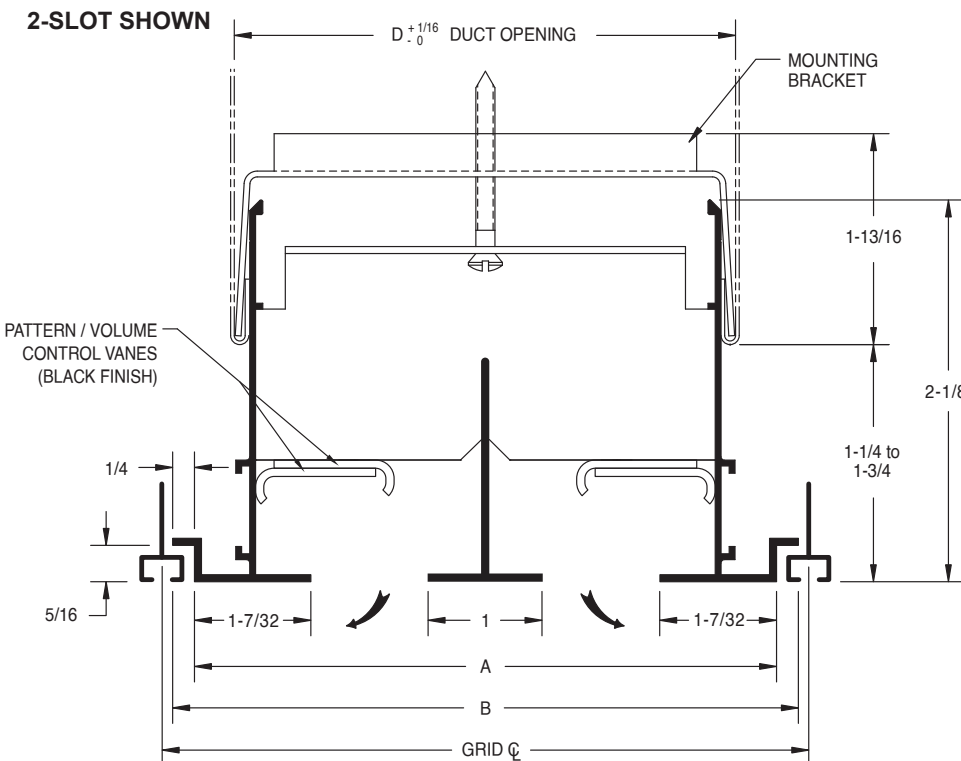
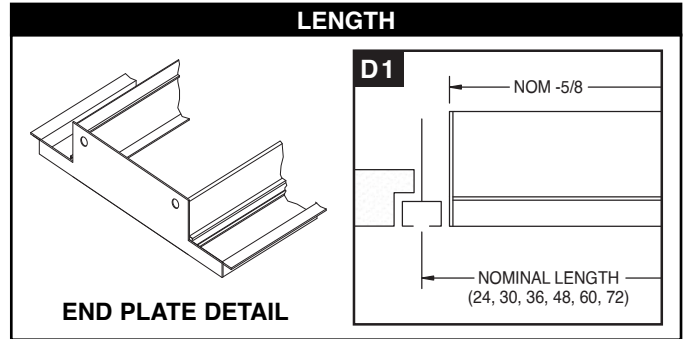


# SUBMITTAL SHEET

www.anemostat-hvac.com

PRODUCT FEATURES	CONSTRUCTION DETAILS	MODELS
<ul style="list-style-type: none"> <li>• Designed for use with 9/16" Narrow Slot suspended grid systems</li> <li>• Standard lengths = 24", 30", 36", 48", 60", 72" (custom lengths available)</li> <li>• Includes plenum mounting brackets and screws</li> <li>• See Model AD Air Distribution plenums engineered for use with this diffuser</li> </ul>	<ul style="list-style-type: none"> <li>• Extruded aluminum, adjustable linear slot diffuser</li> </ul> <b>Finish:</b> <ul style="list-style-type: none"> <li><input type="checkbox"/> Arctic White border and Center Tees Black Volume / Pattern Controllers</li> <li><input type="checkbox"/> Optional Anemostat Color _____</li> <li><input type="checkbox"/> Custom Color Match _____</li> </ul>	<b>Supply Diffusers</b> <ul style="list-style-type: none"> <li><input type="checkbox"/> <b>FF-D1-100</b> 1" Slot Width</li> </ul> <b>Returns (No Volume / Pattern Controllers)</b> <ul style="list-style-type: none"> <li><input type="checkbox"/> <b>FFR-D1-100</b> 1" Slot Width</li> </ul> <p style="text-align: right;">Model AD Plenum Order Size Length = Grid Module Size - 5/8"</p>

FF-D1-100 • 1" SLOT WIDTH				
# SLOTS	GRID $\phi$	A	B	D
1	4	3-13/32	3-29/32	2-5/16
2	6	5-13/32	5-29/32	4-5/16
3	8	7-13/32	7-29/32	6-5/16
4	10	9-13/32	9-29/32	8-5/16



All dimensions are in inches.

JOB NAME:

SUBMITTED BY: