

# SUBMITTAL SHEET

**PRODUCT FEATURES**

- Designed for use with combination 9/16" Tegular / Beveled Plaster Frame applications
- Standard lengths = 24", 30", 36", 48", 60", 72" (custom lengths available)
- Includes plenum mounting yokes

**CONSTRUCTION DETAILS**

- Extruded aluminum, adjustable linear slot diffuser
- Finish:
  - Arctic White Border and Center Tees, Black Volume / Pattern Controllers
  - Custom Color Match
  - Optional Anemostat Color

**MODELS**

## Supply Diffusers

- FF-T9B-200 2" Slot
- FF-T9B-250 2-1/2" Slot
- FF-T9B-300 3" Slot

## Returns (No Volume / Pattern Controllers)

- FFR-T9B-200 2" Slot
- FFR-T9B-250 2-1/2" Slot
- FFR-T9B-300 3" Slot

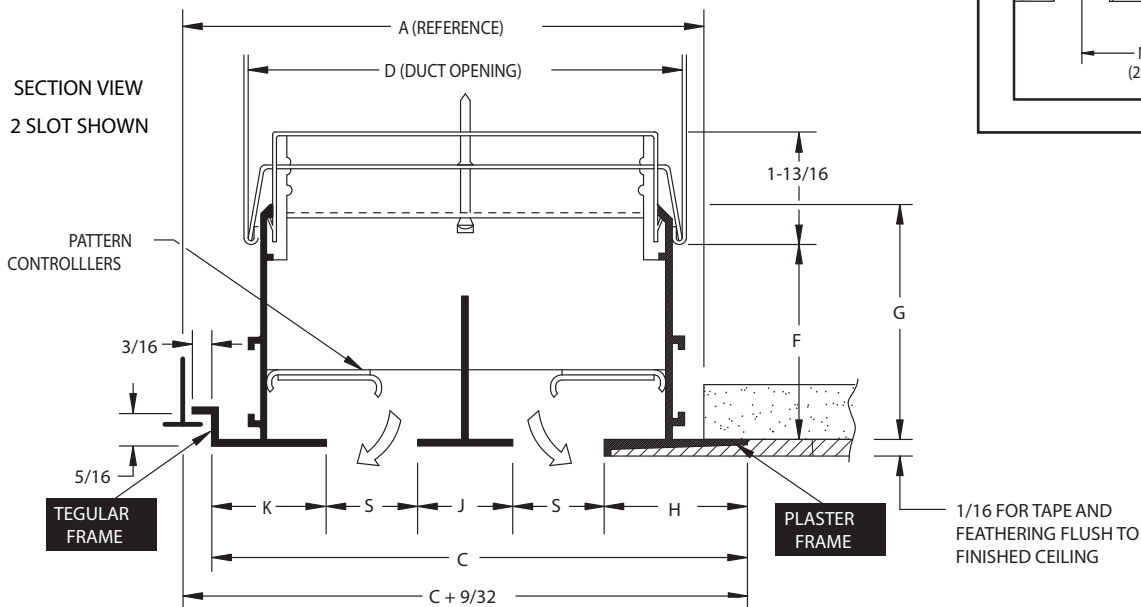
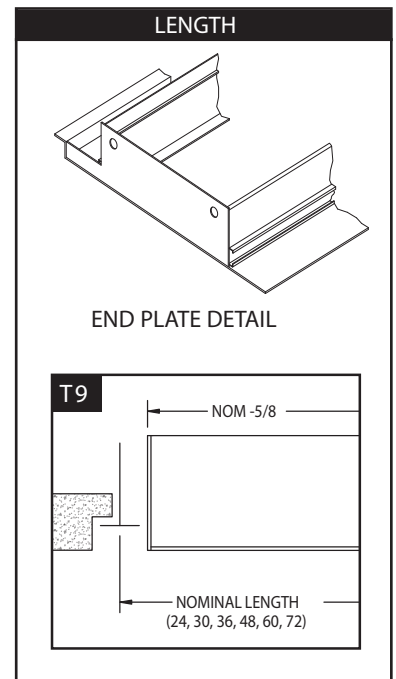
FF-T9B-200 • 2" SLOT WIDTH									
# SLOTS	S	A	C	D	J	F	G	K	H
1	2	5-21/32	5-15/16	4-5/16	-	1-25/32 to 2-5/32	2-5/8	2-3/16	1-3/4
2	2	9-21/32	9-15/16	8-5/16	2				

FF-T9B-250 • 2-1/2" SLOT WIDTH									
# SLOTS	S	A	C	D	J	F	G	K	H
1	2-1/2	6-13/32	6-11/16	5-5/16	-	2-1/4 to 2-5/8	3-3/32	2-3/16	2
2	2-1/2	11-13/32	11-11/16	10-5/16	2-1/2				

FF-T9B-3000 • 3" SLOT WIDTH									
# SLOTS	S	A	C	D	J	F	G	K	H
1	3	7-5/32	7-3/16	6-5/16	-	2-3/8 to 2-3/4	3-7/32	2-3/16	2
2	3	13-5/32	13-3/16	12-5/16	3				



All dimensions are in inches.

JOB NAME:

SUBMITTED BY: