

SUBMITTAL SHEET

www.anemostat-hvac.com

Model **FFCM-200**
ARCHITECTURAL
LINEAR DIFFUSER
CONCEALED MOUNTING
2" SLOT WIDTH

PRODUCT FEATURES

- Linear slot diffuser for concealed mounting applications
- Internal controllers adjustable for pattern and volume control
- Alignment strips and mounting brackets furnished for field assembly and installation

CONSTRUCTION DETAILS

- Extruded aluminum, adjustable linear slot diffuser

Finish:

- Arctic White Center Tees, Black Outer Frame & Volume / Pattern Controllers
- Optional Anemostat Color
- Custom Color Match

MODELS

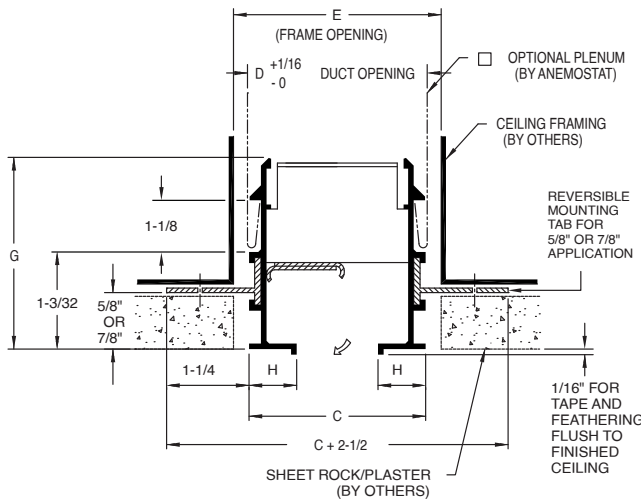
Supply Diffusers

- FF-CM-200** 2" Slot Width, Concealed Mounting

Returns (No Volume / Pattern Controllers)

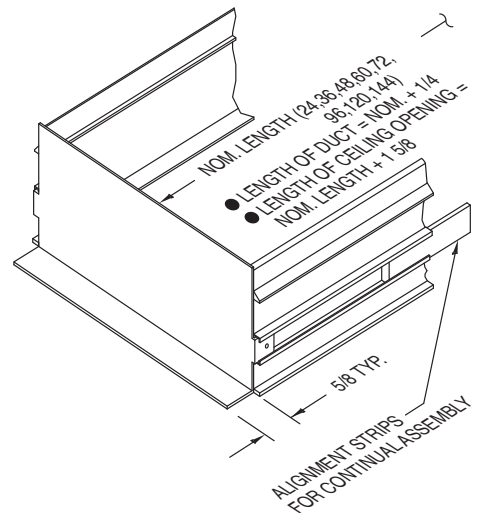
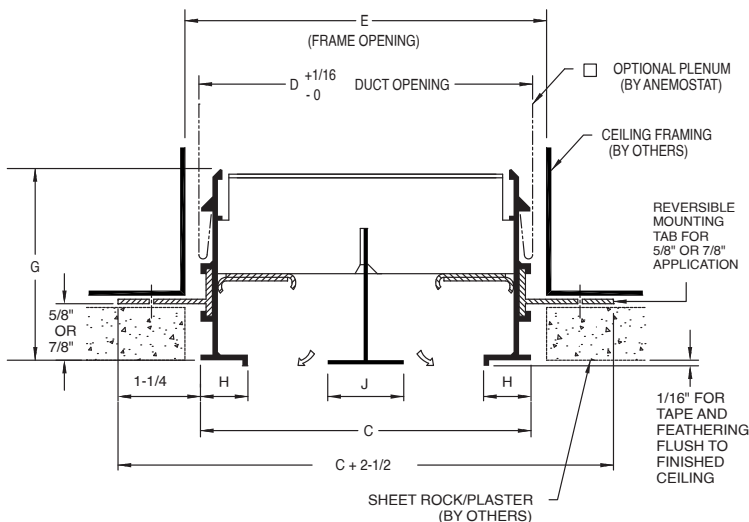
- FFR-CM-200** 2" Slot Width, Concealed Mounting

SINGLE SLOT



FFCM-200 (2" SLOT WIDTH)						
# OF SLOTS	C	D	E	G	H	J
1	4-5/16	4-5/16	4-5/8	2-11/16	1-5/32	-
2	8-5/16	8-5/16	8-5/8			2
3	12-5/16	12-5/16	12-5/8			
4	16-5/16	16-5/16	16-5/8			

MULTIPLE SLOT



END PLATE DETAIL

All dimensions are in inches.

JOB NAME:

SUBMITTED BY: