

SUBMITTAL SHEET

www.anemostat-hvac.com

Model **FFCM-150**
ARCHITECTURAL
LINEAR DIFFUSER
CONCEALED MOUNTING
1-1/2" SLOT WIDTH

PRODUCT FEATURES

- Linear slot diffuser for concealed mounting applications
- Internal controllers adjustable for pattern and volume control
- Alignment strips and mounting brackets furnished for field assembly and installation

CONSTRUCTION DETAILS

- Extruded aluminum, adjustable linear slot diffuser

Finish:

- Arctic White Center Tees, Black Outer Frame & Volume / Pattern Controllers
- Optional Anemostat Color
- Custom Color Match

MODELS

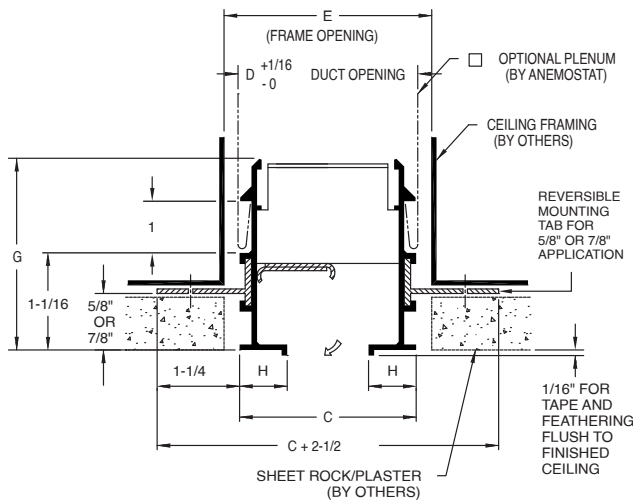
Supply Diffusers

- FF-CM-150** 1-1/2" Slot Width, Concealed Mounting

Returns (No Volume / Pattern Controllers)

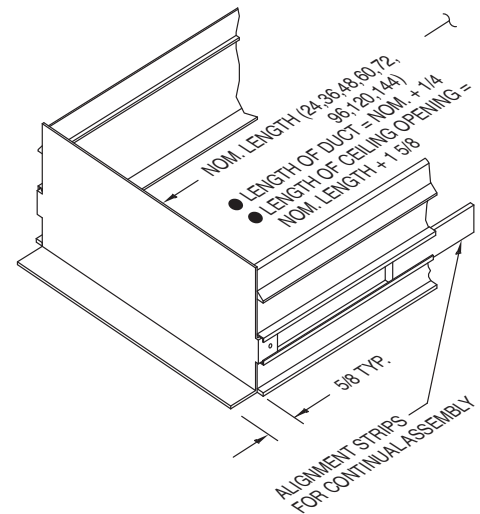
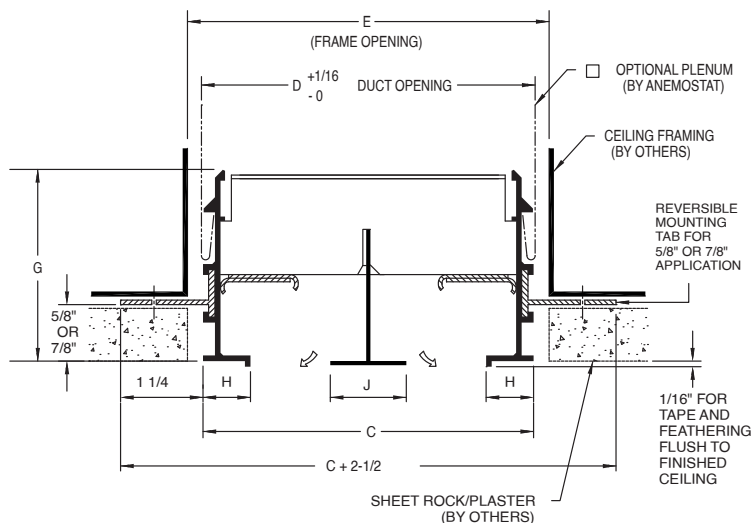
- FFR-CM-150** 1-1/2" Slot Width, Concealed Mounting

SINGLE SLOT



FFCM-150 (1 1/2" SLOT WIDTH)						
# OF SLOTS	C	D	E	G	H	J
1	3-1/4	3-5/16	3-5/8	2-5/8	7/8	-
2	6-1/4	6-5/16	6-5/8			
3	9-1/4	9-5/16	9-5/8			
4	12-1/4	12-5/16	12-5/8			

MULTIPLE SLOT



END PLATE DETAIL

All dimensions are in inches.

JOB NAME:

SUBMITTED BY: