

SUBMITTAL SHEET

PRODUCT FEATURES

- Designed for use with combination 9/16" Tegular / Surface Mount applications
- Standard lengths = 24", 30", 36", 48", 60", 72" (custom lengths available)
- Includes plenum mounting yokes

CONSTRUCTION DETAILS

- Extruded aluminum, adjustable linear slot diffuser
- Finish:**
 - Arctic White Border and Center Tees, Black Volume / Pattern Controllers
 - Optional Anemostat Color
 - Custom Color Match

MODELS
Supply Diffusers

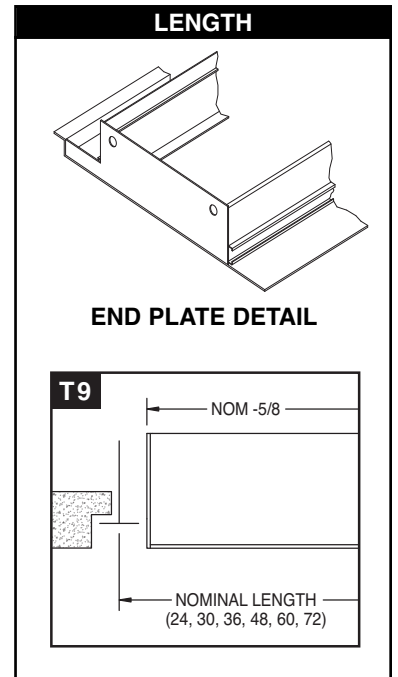
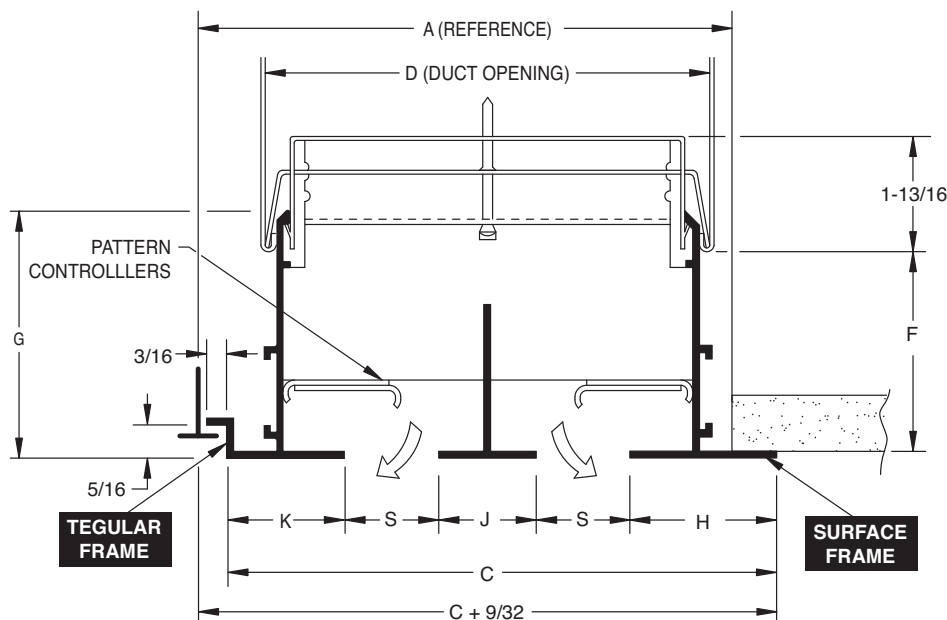
- FF-T9S-100** 1" Slot
- FF-T9S-150** 1-1/2" Slot

Returns (No Volume / Pattern Controllers)

- FFR-T9S-100** 1" Slot, 9/16"
- FFR-T9S-150** 1-1/2" Slot

FF-T9S-100 • 1" SLOT WIDTH									
# SLOTS	S	A	C	D	J	F	G	K	H
1	1	3-13/32	3-11/16	2-5/16	-	1-3/16 to 1-9/16	2-1/16	1-7/16	1-1/4
2	1	5-13/32	5-11/16	4-5/16	1				
3	1	7-13/32	7-11/16	6-5/16	1				
4	1	9-13/32	9-11/16	8-5/16	1				

FF-T9S-150 • 1-1/2" SLOT WIDTH									
# SLOTS	S	A	C	D	J	F	G	K	H
1	1-1/2	4-13/32	4-11/16	3-5/16	-	1-21/32 to 2-1/32	2-9/16	1-11/16	1-1/2
2	1-1/2	7-13/32	7-11/16	6-5/16	1-1/2				
3	1-1/2	10-13/32	10-11/16	9-5/16	1-1/2				
4	1-1/2	13-13/32	13-11/16	12-5/16	1-1/2				


SECTION VIEW
2 SLOT SHOWN


All dimensions are in inches.

JOB NAME:
SUBMITTED BY: