



Anemostat®

SUBMITTAL

1220 Watson Center Road • Carson, CA 90745-4206
 (310) 835-7500 • FAX (310) 835-0448
 air@anemostat.com • www.anemostat.com

Model **FSRB-S**
 FIXED VANE PLENUM SLOT
 SUPPLY/RETURN WITH VERTICAL
 BLOW
 SURFACE APPLICATION

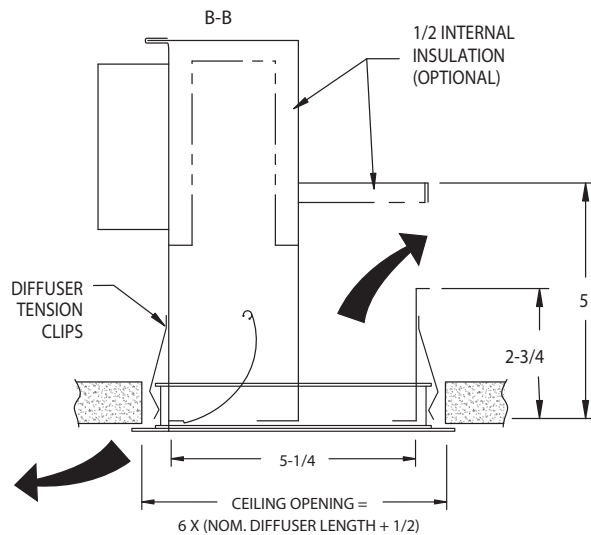
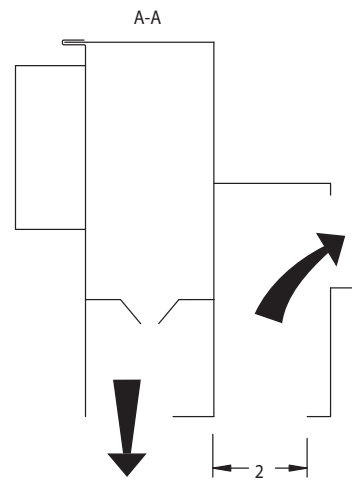
D I F F U S E R S

PRODUCT FEATURES

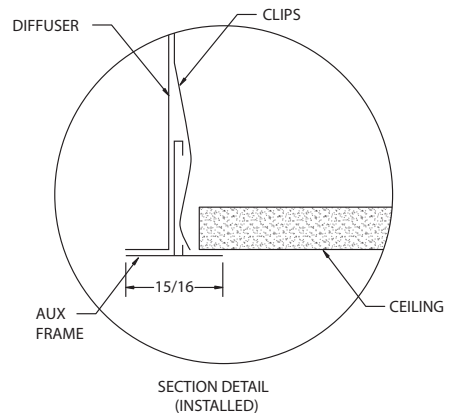
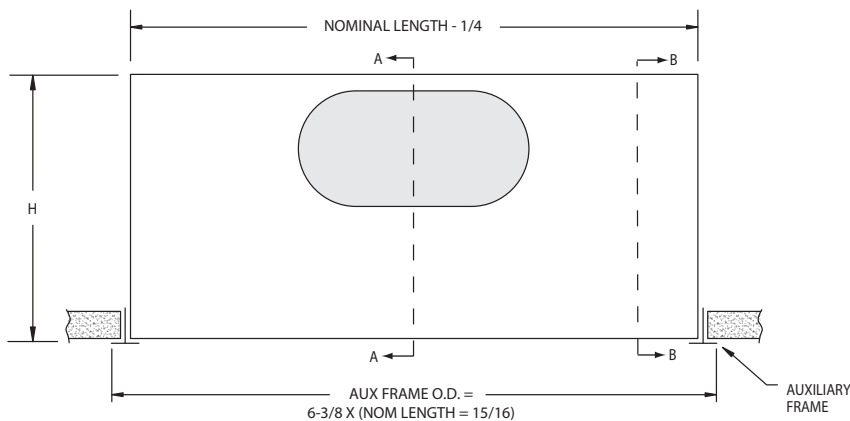
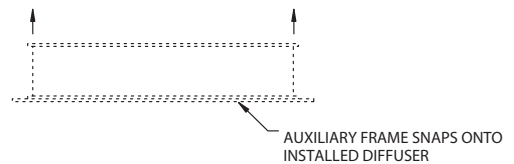
- Combines both the supply and return in one assembly
- 12" center down-blow controller
- 24", 30", 36", 48", 60" nominal lengths
- Diffuser is suspended in the ceiling opening and the Auxiliary Surface frame is snapped into position and held in place by tension clips on the diffuser

CONSTRUCTION DETAILS

- Material: 24 GA Galvannealed Steel Diffuser
 Aluminum Model TBF Tee Bar Frame
- Finish: Diffuser is flat black on exposed surfaces
 Auxiliary Surface Frame is white



OVAl INLET SIZES	H	NOM LENGTH
5, 6, 7	8	24, 30, 36, 48, 60
8, 10	9	



All dimensions are in inches.

JOB NAME:

SUBMITTED BY: