



Anemostat® SUBMITTAL

1220 Watson Center Road • Carson, CA 90745-4206
 (310) 835-7500 • FAX (310) 835-0448
 air@anemostat.com • www.anemostat.com

Model **FDB-S** FIXED VANE PLENUM SLOT DIFFUSER WITH VERTICAL BLOW SURFACE MOUNTED WITH AUXILIARY FRAME

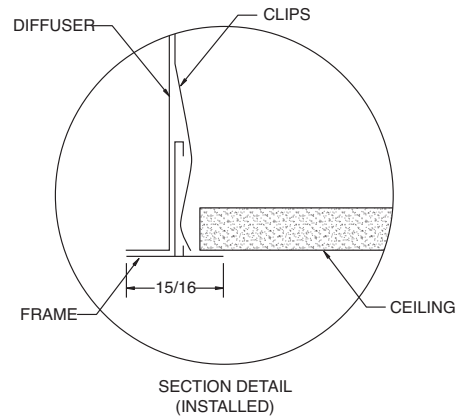
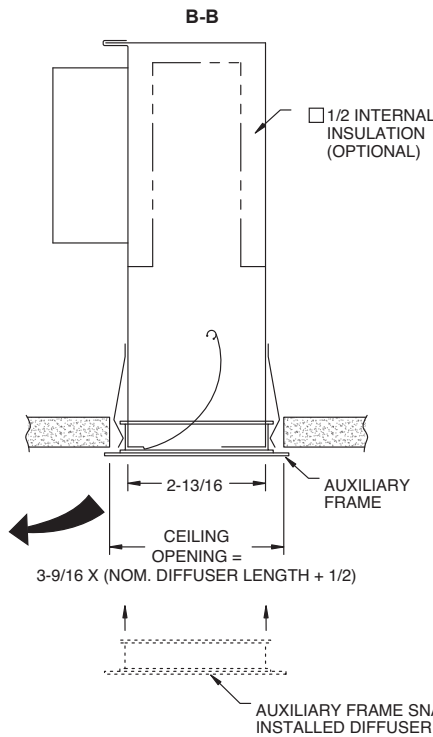
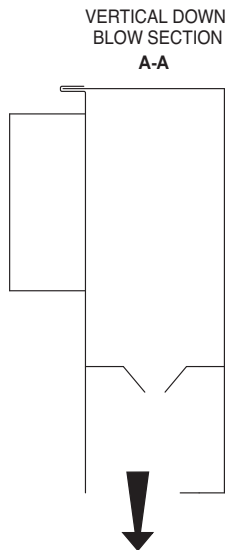
DIFFUSERS

PRODUCT FEATURES

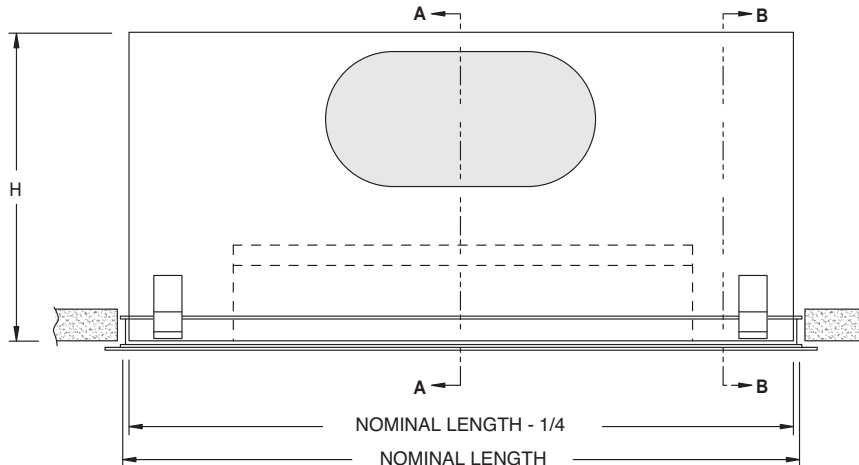
- 1-way horizontal supply discharge
- 12" center down-blow controller
- 24", 36", 48", 60" nominal lengths

CONSTRUCTION DETAILS

- Material:** 24 GA Galvannealed Steel
Finish: Flat black on exposed surfaces (std)
 Factory attached T-Bars are white
- Custom Colors (opt)



OVAL INLET SIZES	DIFFUSER HEIGHT H
5, 6, 7	8
8, 10	9



All dimensions are in inches.

JOB NAME:

SUBMITTED BY: