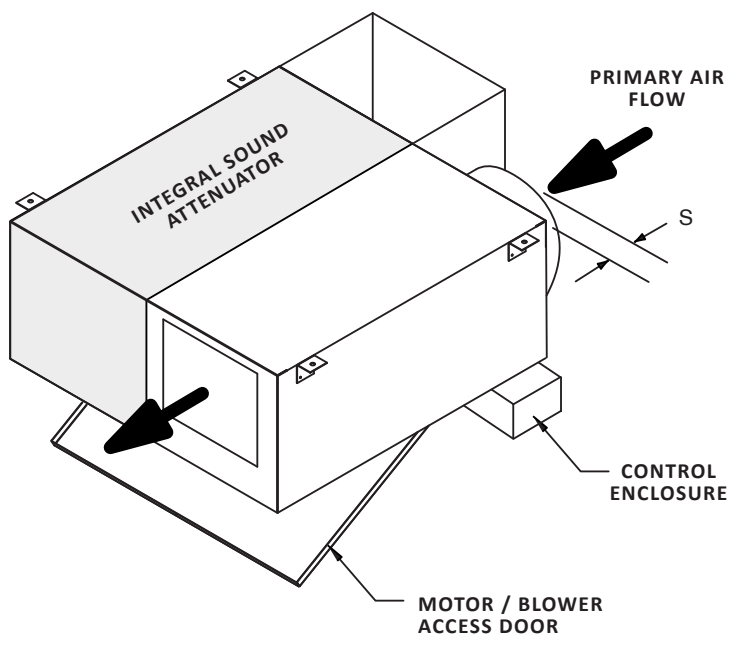
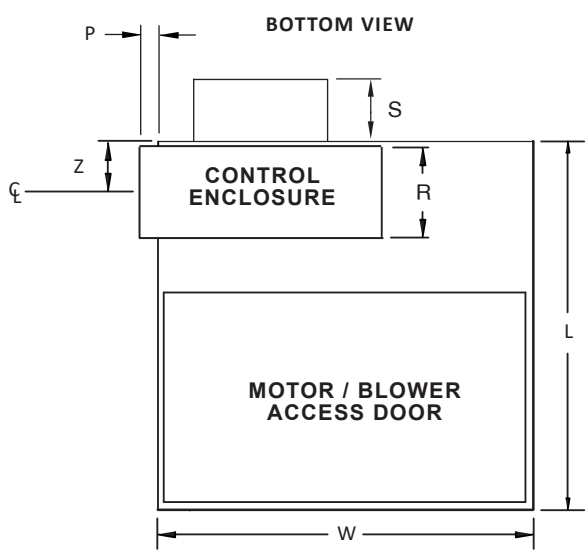
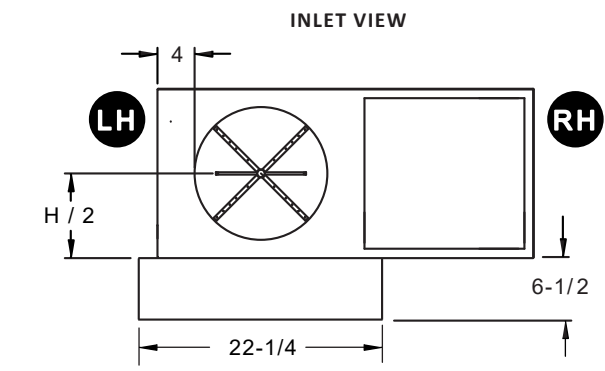


SUBMITTAL SHEET

www.anemostat-hvac.com

PRODUCT FEATURES

- This optional feature moves the control enclosure from the standard side location to the bottom of the air terminal for easier access when working in tight spaces.
- Applicable to Models QSTS, QSTW, ESTS, & ESTW (All Cooling only or Hot Water Heating models).



LH INLET, BOTTOM CONTROL ENCLOSURE SHOWN

All dimensions are in inches.

MODEL EST / QST UNIT SIZE	NOM INLET SIZE	Z	S	P	R	HEIGHT H	WIDTH W	LENGTH L
-17, -25, -33	05, 06, 07, 08	4-1/2	5-1/2	3	8-3/4	18	32	36
	09, 10	4-1/2	7-1/2					
-50	05, 06, 07, 08	4-1/2	5-1/2	2	11-1/8	18	40	40
	09, 10	6-1/2						
	12, 14	8-1/2						
-75, -10	07, 08	4-1/2	5-1/2	2	11-1/8	20	48	48
	09, 10	6-1/2						
	12, 14, 16	8-1/2						

JOB NAME:

SUBMITTED BY:

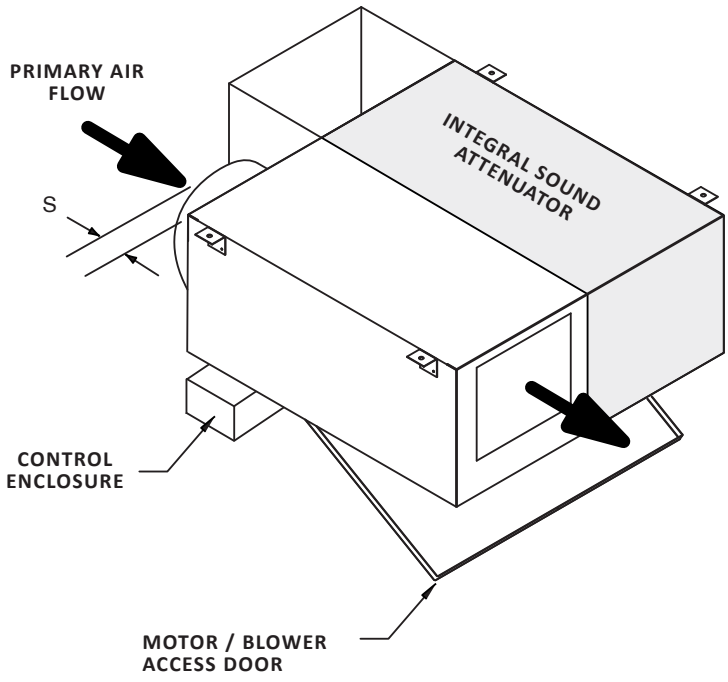
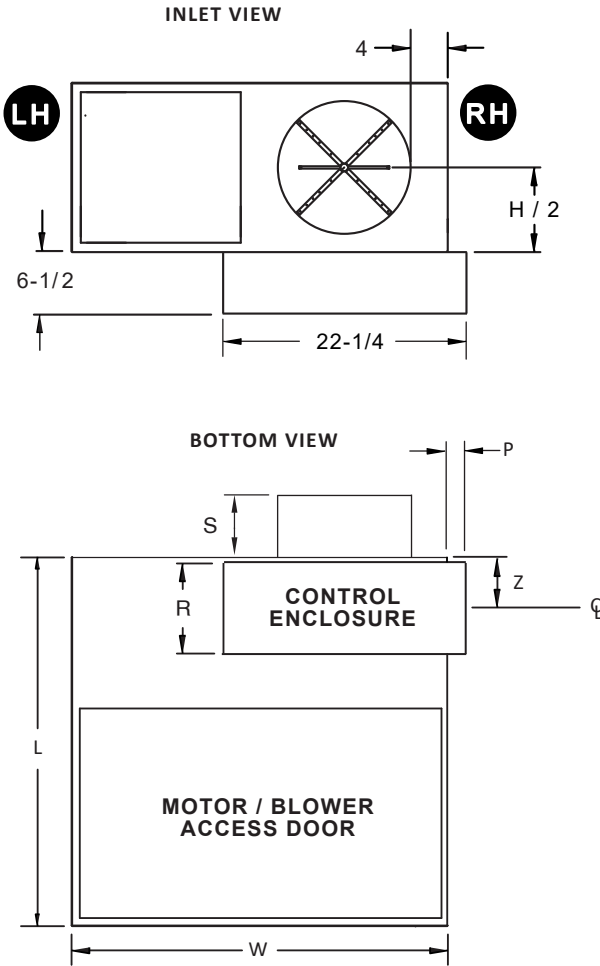
SUBMITTAL SHEET

www.anemostat-hvac.com

BOTTOM CONTROL
ENCLOSURE LOCATION
RIGHT HAND INLET

PRODUCT FEATURES

- This optional feature moves the control enclosure from the standard side location to the bottom of the air terminal for easier access when working in tight spaces.
- Applicable to Models QSTS, QSTW, ESTS, & ESTW (All Cooling only or Hot Water Heating models).



All dimensions are in inches.

MODEL EST / QST UNIT SIZE	NOM INLET SIZE	Z	S	P	R	HEIGHT H	WIDTH W	LENGTH L
-17, -25, -33	05, 06, 07, 08	4-1/2	5-1/2	3	8-3/4	18	32	36
	09, 10	4-1/2	7-1/2					
-50	05, 06, 07, 08	4-1/2	5-1/2	2	11-1/8	18	40	40
	09, 10	6-1/2						
	12, 14	8-1/2						
-75, -10	07, 08	4-1/2	5-1/2	2	11-1/8	20	48	48
	09, 10	6-1/2						
	12, 14, 16	8-1/2						

JOB NAME:

SUBMITTED BY: