

**4 - Cone
Diffuser**

Model **C-27P**
CIRCULAR DIFFUSER
ADJUSTABLE PATTERN
WITH PNEUMATIC ACTUATOR
21" & 24"

PRODUCT FEATURES

- Circular supply air diffuser (4-cones) featuring an adjustable air pattern
- Horizontal (typically cold air) or Vertical projection (typically heated air)
- Pneumatically operated, remote pattern adjustment
- 20 psi (Vertical) or 0 psi (Horizontal) signal line to each diffuser pneumatic actuator effects pattern change (2 position)
- Easily automated with supply air temperature sensing

CONSTRUCTION FEATURES

Material:

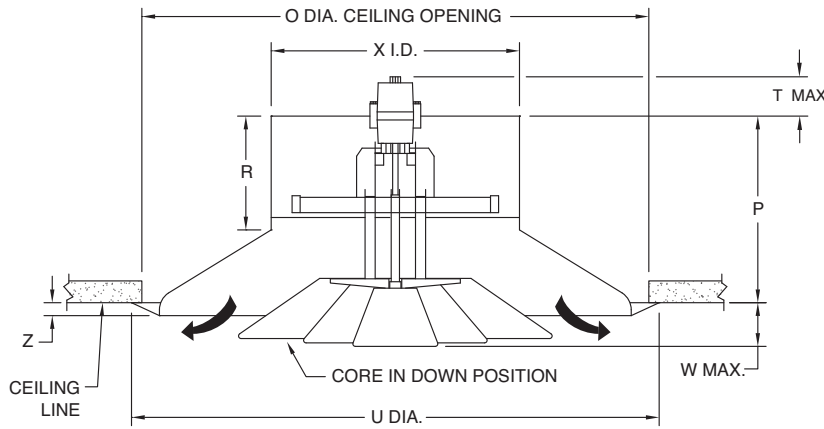
- Steel
- Aluminum

Finish:

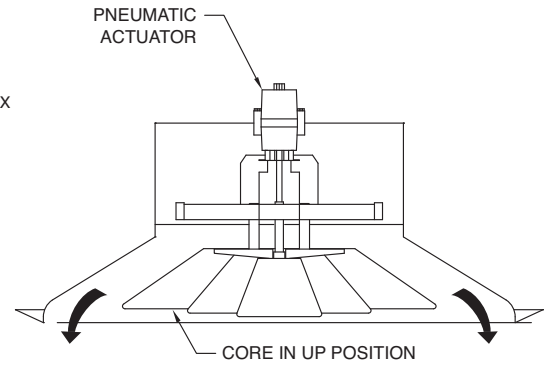
- Arctic White (WH)
- Custom Color : _____

OPTIONAL ACCESSORIES

- Blank-Off Baffles
- Safety Chains (SC)



HORIZONTAL PATTERN (0 PSI)



VERTICAL PATTERN (20 PSI)

| SIZE | O | P | U | W | X | Z | R | T* |
|------|--------|--------|--------|-------|----|-----|-------|-------|
| 21 | 44-1/2 | 10-7/8 | 46-1/4 | 1-1/2 | 21 | 1/2 | 4-1/2 | 3-1/8 |
| 24 | 44-1/2 | 10-7/8 | 46-1/4 | 1-1/2 | 24 | 1/2 | 5-1/8 | 3-7/8 |

*** NOTE:** Neck mounted air control accessories will interfere with the pneumatic actuator and should be field installed in the rigid supply duct upstream of the diffuser.

All dimensions are in inches.

JOB NAME:

SUBMITTED BY: