

**4 - Cone Diffuser**

Model **C-27P**  
**CIRCULAR DIFFUSER**  
ADJUSTABLE PATTERN  
WITH PNEUMATIC ACTUATOR  
10" - 18"

**PRODUCT FEATURES**

- Circular supply air diffuser (4-cones) featuring an adjustable air pattern
- Horizontal (typically cold air) or Vertical projection (typically heated air)
- Pneumatically operated, remote pattern adjustment
- 0 psi (Vertical) or 20 psi (Horizontal) signal line to each diffuser pneumatic actuator effects pattern change (2 position)
- Easily automated with supply air temperature sensing

**CONSTRUCTION FEATURES**

**Material:**

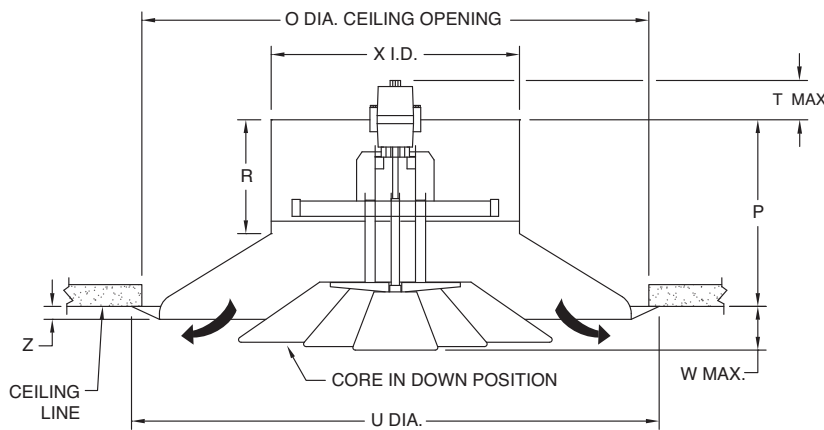
- Steel
- Aluminum

**Finish:**

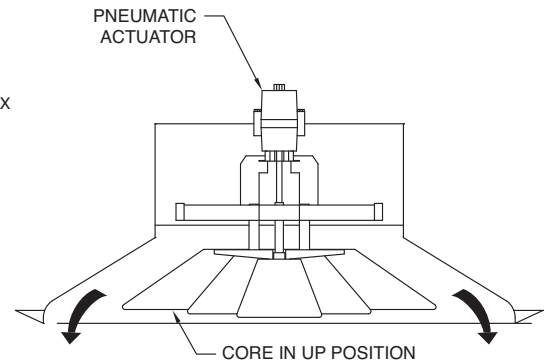
- Arctic White (WH)
- Custom Color : \_\_\_\_\_

**OPTIONAL ACCESSORIES**

- Blank-Off Baffles
- Safety Chains (SC)



**HORIZONTAL PATTERN (20 PSI)**



**VERTICAL PATTERN (0 PSI)**

| SIZE | O      | P     | U      | W      | X  | Z     | R     | T*    |
|------|--------|-------|--------|--------|----|-------|-------|-------|
| 10   | 21-3/4 | 5-1/4 | 24-1/4 | 2-5/16 | 10 | 1     | 3     | 5-1/2 |
| 12   | 21-3/4 | 4-7/8 | 24-1/4 | 2-3/8  | 12 | 1     | 3     | 5-3/4 |
| 15   | 31-3/4 | 5-5/8 | 35-1/2 | 2-1/2  | 15 | 1-3/8 | 3     | 6-1/8 |
| 18   | 31-3/4 | 5-1/8 | 35-1/2 | 2-1/4  | 18 | 1-3/8 | 3-1/4 | 6-7/8 |

**\* NOTE:** Neck mounted air control accessories will interfere with the pneumatic actuator and should be field installed in the rigid supply duct upstream of the diffuser.

All dimensions are in inches.

**JOB NAME:**

**SUBMITTED BY:**