

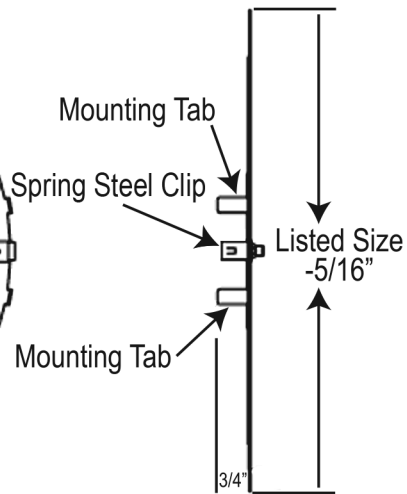
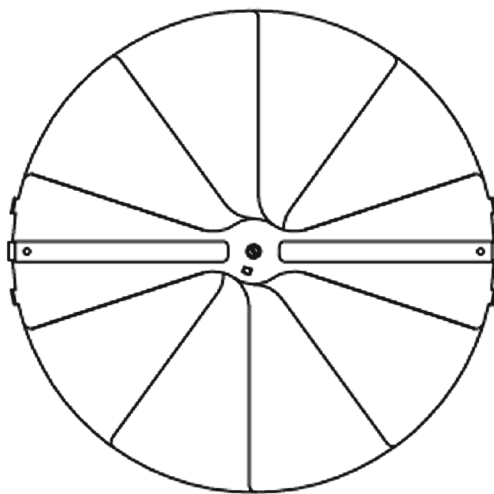
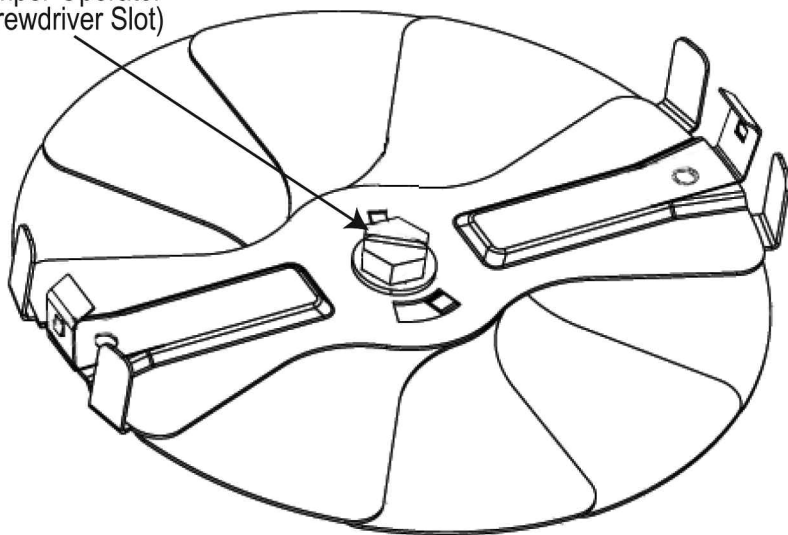
CONSTRUCTION FEATURES

Material: Galvanized Steel

Finish: Mill Finish

SIZE AVAILABILITY	
MODEL	NECK DIAMETER
BTD-06	6"
BTD-08	8"
BTD-10	10"
BTD-12	12"
BTD-14	14"

Damper Operator
(Screwdriver Slot)



All dimensions are in inches.

JOB NAME:

SUBMITTED BY: