

# Anemostat® SUBMITTAL

1220 Watson Center Road • Carson, CA 90745-4206  
 (310) 835-7500 • FAX (310) 835-0448  
 airhelp@anemostat.com • www.anemostat.com

Model **ATHC**  
**ANEMOTHERM**  
**VAV SUPPLY DIFFUSER**  
 HEATING & COOLING  
 NOMINAL 24 X 24

## DIFFUSERS

### PRODUCT FEATURES

- Intelligent VAV heating and cooling supply air diffuser
- 360° air delivery pattern
- Variable geometry diffuser maintains high discharge velocities at low flow conditions
- Integral, independent heating and cooling thermostats and VAV damper
- Thermostats factory set at 74° F, adjustable from 72° to 78° F
- No tools required for temperature setpoint adjustment.

(Supply duct static pressure must be controlled and limited)

### CONSTRUCTION DETAILS

#### Material:

- Cold Rolled Steel (std)
- Aluminum (opt)
- 304 Stainless Steel (opt)

#### Finish:

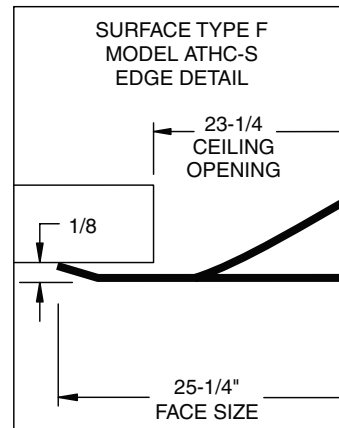
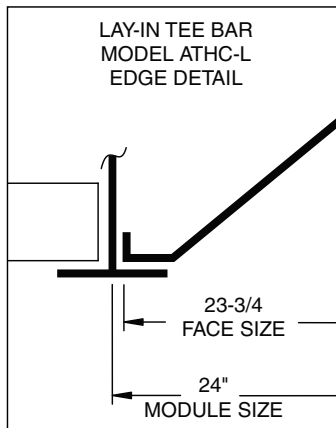
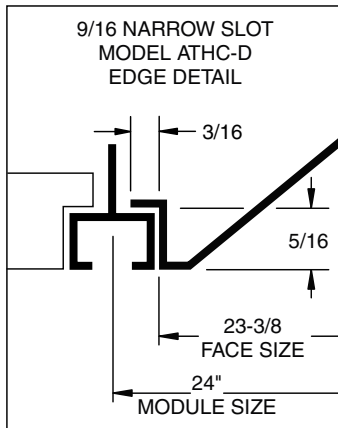
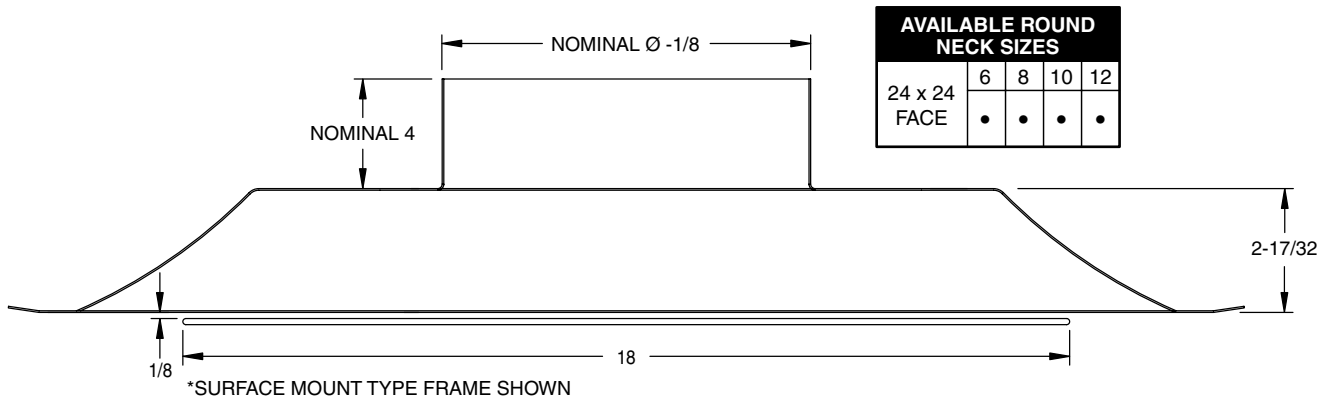
- White (std)
- Custom Colors (opt)

### MODELS

- ATHC-D** 9/16" Narrow Slot
- ATHC-L** Lay-In T-Bar
- ATHC-S** Surface Mount

### DISCHARGE PATTERN

- 1 Way
- 2 Way Opposite
- 2 Way Corner
- 3 Way
- 4 Way



All dimensions are in inches.

JOB NAME:

SUBMITTED BY: