



# Anemostat®

AIR DISTRIBUTION

## SUBMITTAL SHEET

www.anemostat-hvac.com



# SOUND ATTENUATOR

TUBULAR

PACKLESS FOR ROUND DUCT

**NO FILL**

### PRODUCT FEATURES

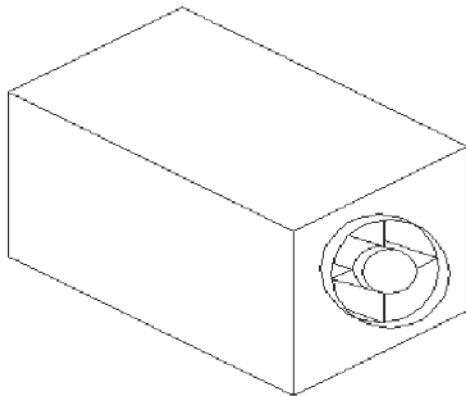
- **FILL:** None
- **Size:** 8" dia. & 12" dia. unit = 21" x 21" casing  
16" dia. unit = 30" x 30" casing
- **Lenght:** RPL & RPS = 36"  
REPL 8" dia. & 12" dia. = 51" C.L.  
REPL 16" dia. = 60" C.L.

### CONSTRUCTION FEATURES

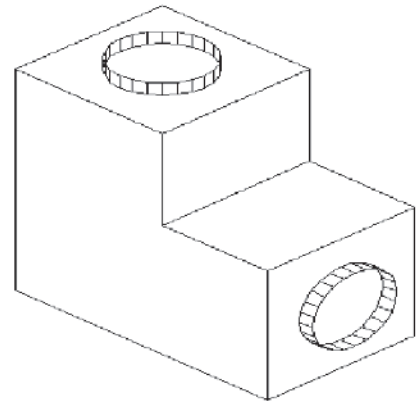
- **Casing:**  
22 Gauge Galvanized Steel
- **Baffles:**  
24 Gauge Perforated Galvanized Steel
- **Bullet:**  
24 Gauge Perforated Galvanized Steel  
(RPS Model Only)

### MODELS

- ARPS**
- ARPL**
- AREPL**



In-Line Tubular



Elbow Unit

By *AEROSONICS*

All dimensions are in inches.

JOB NAME:

SUBMITTED BY: