



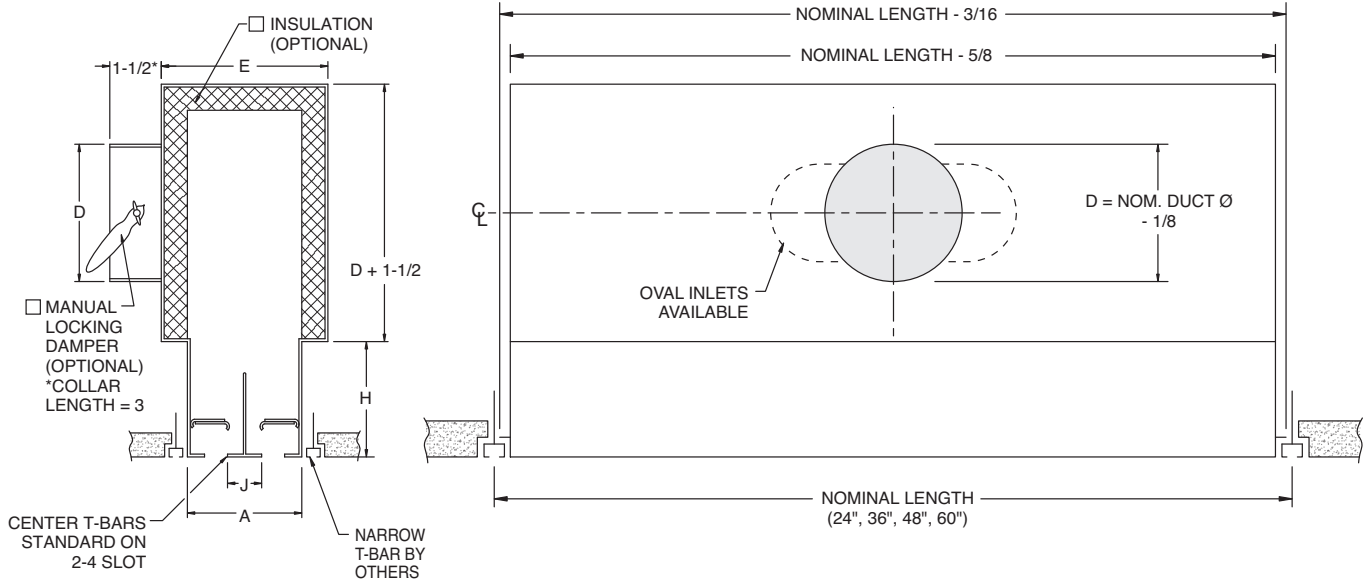
Anemostat® SUBMITTAL

1220 Watson Center Road • Carson, CA 90745-4206
 (310) 835-7500 • FAX (310) 835-0448
 airhelp@anemostat.com • www.anemostat.com

Model **API-FF**
T-BAR PLENUM SLOT DIFFUSER
 9/16" NARROW SLOT GRID SYSTEMS
 1", 1-1/2" SLOT WIDTHS
 1 to 4 SLOTS

PLENUM SLOT DIFFUSERS

2 SLOT SHOWN



MODEL	SLOT WIDTH B	H	J	INLET Φ D	1-SLOT		2-SLOT		3-SLOT		4-SLOT	
					A	E	A	E	A	E	A	E
API-FF-100	1	3	1	4" - 16"	2	3-13/16	4	6-5/16	6	8-13/16	8	11-5/16
API-FF-150	1-1/2	4	1-1/2	4" - 16"	3	5-5/16	6	8-5/16	9	11-5/16	12	14-5/16

MODEL	APPLICATION	# OF SLOTS	SLOT WIDTH	NOM. LENGTH	NOM. DUCT SIZE
API	D	2	10	48	10
API-FF	Architectural Plug-In Diffuser	1 1 Slot 2 2 Slots	10 1" 15 1-1/2"	24 24" 36 36" 48 48" 60 60"	- N/A 09 9" 05 5" 10 10" 06 6" 12 12" 07 7" 14 14" 08 8" 16 16"
API-R	Ducted Return (no pattern controllers)	3 3 Slots 4 4 Slots			

All dimensions are in inches.

JOB NAME:

SUBMITTED BY: