



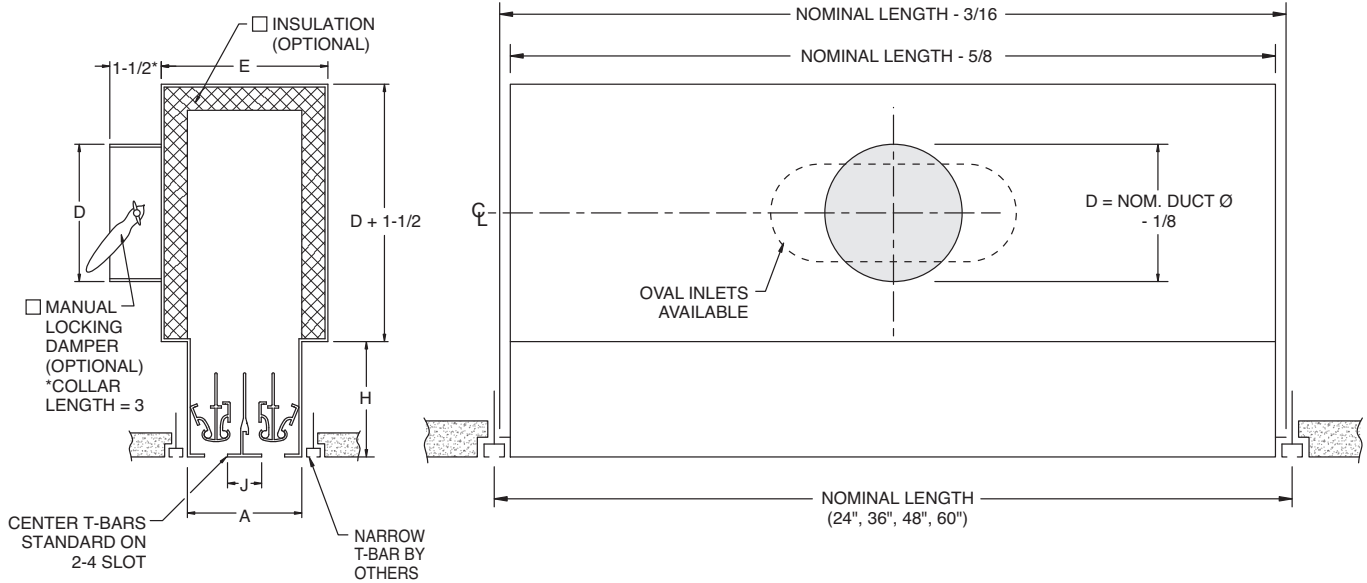
# Anemostat® SUBMITTAL

1220 Watson Center Road • Carson, CA 90745-4206  
 (310) 835-7500 • FAX (310) 835-0448  
 airhelp@anemostat.com • www.anemostat.com

Model **API-S**  
**T-BAR PLENUM SLOT DIFFUSER**  
 9/16" NARROW SLOT GRID SYSTEMS  
 1/2", 3/4", 1", 1-1/2" SLOT WIDTHS  
 1 to 4 SLOTS

## PLENUM SLOT DIFFUSERS

2 SLOT SHOWN



MODEL	SLOT WIDTH B	H	J	INLET Ø D	1-SLOT		2-SLOT		3-SLOT		4-SLOT	
					A	E	A	E	A	E	A	E
API-SL-50	1/2	3	3/4	4" - 16"	1-1/4	3-13/16	2-1/2	5-5/16	3-3/4	6-13/16	5	8-5/16
API-SL-75	3/4	3	3/4	4" - 16"	1-1/2	3-13/16	3	5-5/16	4-1/2	6-13/16	6	8-5/16
API-SL-100	1	3	1	4" - 16"	2	3-13/16	4	6-5/16	6	8-13/16	8	11-5/16
API-SL-150	1-1/2	4	1-1/2	4" - 16"	3	5-5/16	6	8-5/16	9	11-5/16	12	14-5/16

MODEL	APPLICATION	# OF SLOTS	SLOT WIDTH	NOM. LENGTH	NOM. DUCT SIZE
<b>API</b>	<b>D</b>	<b>2</b>	<b>75</b>	<b>48</b>	<b>10</b>
API-SL	Architectural Plug-In Diffuser	1 1 Slot	50 1/2"	24 24"	- N/A 09 9"
API-R	Ducted Return (no pattern controllers)	2 2 Slots	75 3/4"	36 36"	05 5" 10 10"
		3 3 Slots	10 1"	48 48"	06 6" 12 12"
		4 4 Slots	15 1-1/2"	60 60"	07 7" 14 14"
					08 8" 16 16"

All dimensions are in inches.

JOB NAME:

SUBMITTED BY: