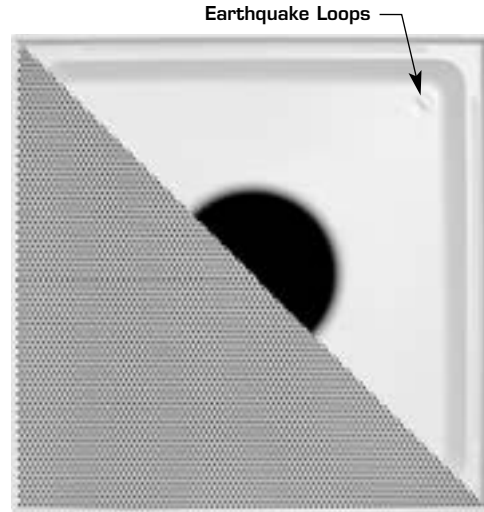


APPLICATION

- Perforated, ducted ceiling return air unit
- Matching return for supply perforated series CG, PD, PDX, & PAC
- Surface mounted or suspended grid system installations

PRODUCT FEATURES

- Steel construction with baked-on Arctic white finish (entire assembly)
- Back pan with integral earthquake loops
- Removable perforated face uses concealed spring clips. Pattern is 3/16" diameter holes on 1/4" centers, 50% free area.
- 5 frame styles for lay-in T-bar, surface mount, concealed spline, tegular, and 9/16" narrow slot suspended grid systems

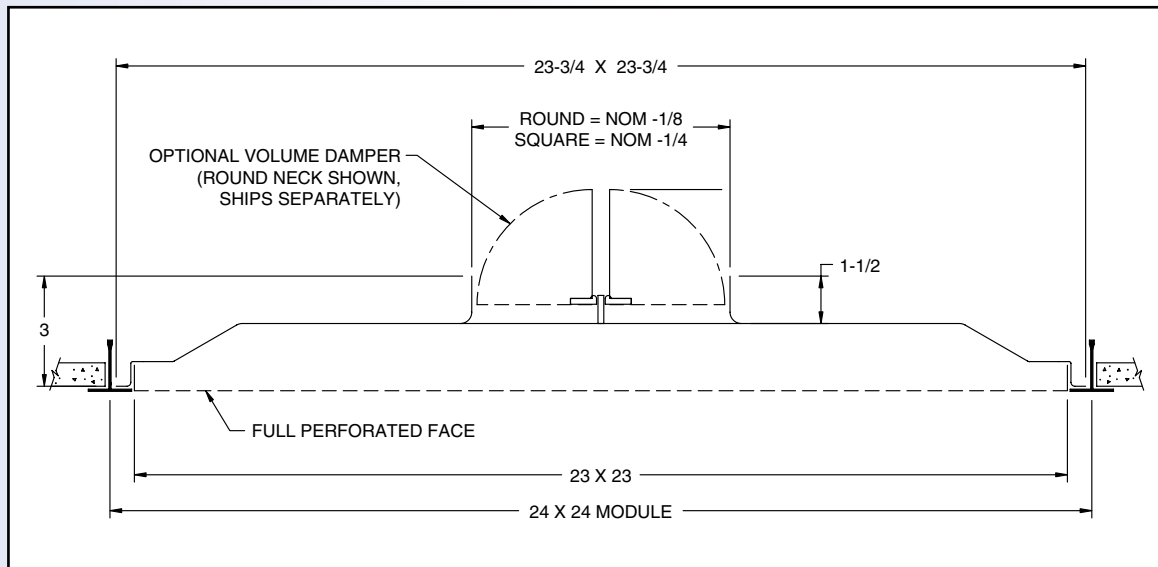


Model 3RPLD Shown

DIFFUSER OPTIONS

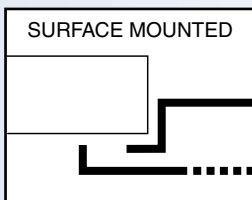
- White face with black back pan
- Aluminum face only, 304 stainless steel face only, 304 stainless steel construction – entire return assembly
- Custom or optional paint colors
- Model **VD** butterfly volume control damper (round necks)
- Model **OB1** opposed blade volume control damper (square necks)
- Model **TBF** auxiliary mounting frame for hard / plaster ceilings

Model 3PD-L - Lay-In T-Bar

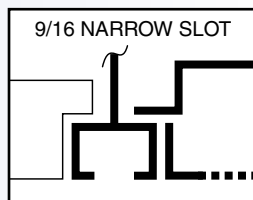


AVAILABLE NECK SIZES	
ROUND	SQUARE
6ø	6 x 6
7ø	
8ø	8 x 8
9ø	
10ø	10 x 10
12ø	12 x 12
14ø	14 x 14
16ø	16 x 16
18ø	18 x 18

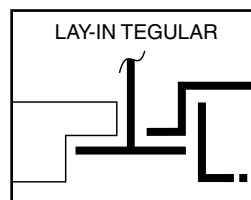
Model 3PD-F



Model 3PD-D



Model 3PD-T



Model 3PD-C

