

# ANEMOSTAT<sup>®</sup>

## SERIES FAN AIR TERMINAL

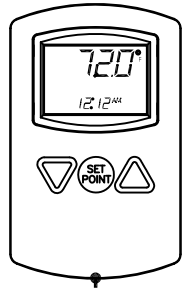
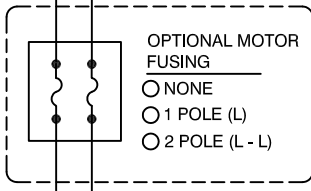
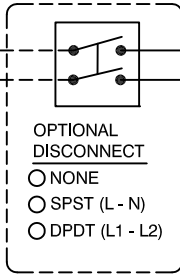
Control Package

# ES - D - 8006A

- ENERGY SMART EC MOTOR
- BACNET DIGITAL CONTROLS
- VAV COOLING & PROPORTIONAL H.W. HEAT (0 - 10 VDC)
- DIGITAL SENSOR STE-8001W80

— FACTORY WIRING  
 - - - FIELD WIRING  
 — FACTORY PIPING

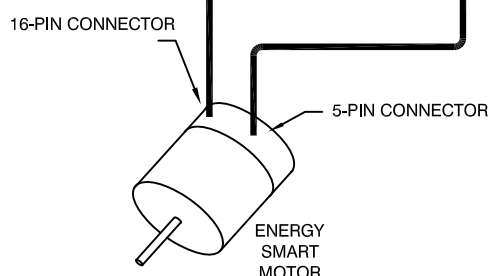
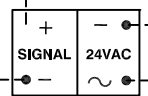
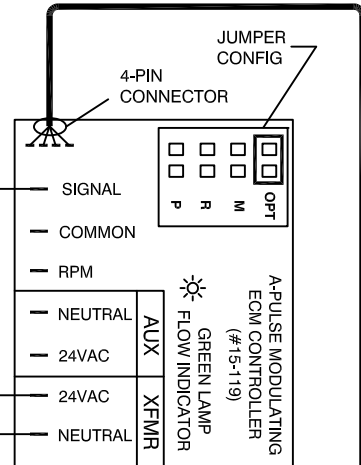
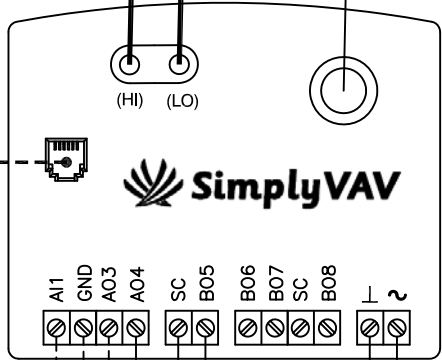
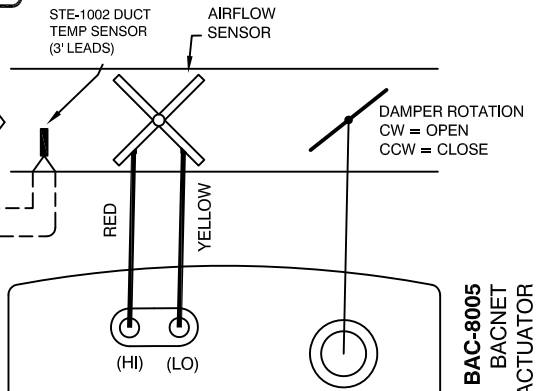
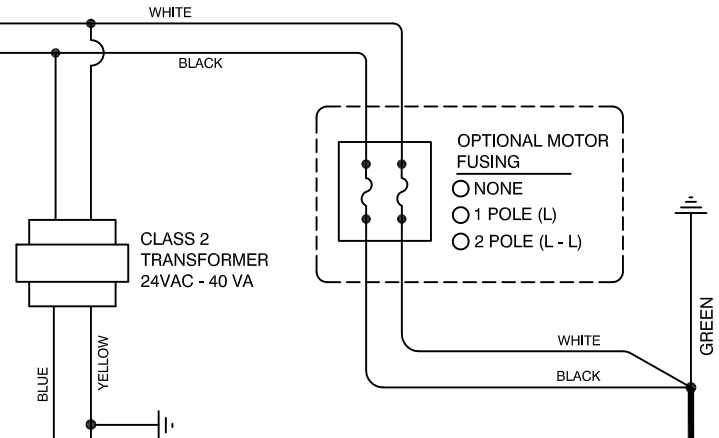
PRIMARY VOLTAGE, 1Ø			
<input type="radio"/> 120 V	<input type="radio"/> 208 V	<input type="radio"/> 240 V	<input type="radio"/> 277 V
N	L2	L2	N
L	L1	L1	L
GROUND			



**STE-8001W80**  
NETSENSOR

REFER TO USER MANUAL FOR CONFIGURATION

CAT5e Ethernet Cable (w/ RJ45 Connector)  
75 FEET MAX



**JOB NAME:**  
**SUBMITTED BY:**  
**DATE:**

**DWG #: ES-D-8006A**  
**REV: -**  
**DATE: 06-13-2017**