

APPLICATION

- Recommended for constant or variable air volume heating, cooling, or ventilating
- 360° air pattern delivery maintains coanda effect even at low air flow rates and minimizes smudging
- Surface mounted or suspended grid systems

PRODUCT FEATURES

- Die stamped cones – no mitered corners
- Uniform, 3 cone appearance regardless of neck size
- Removable inner cone assembly without use of tools
- Optional damper access through center hole with plug button
- Arctic White baked-on finish

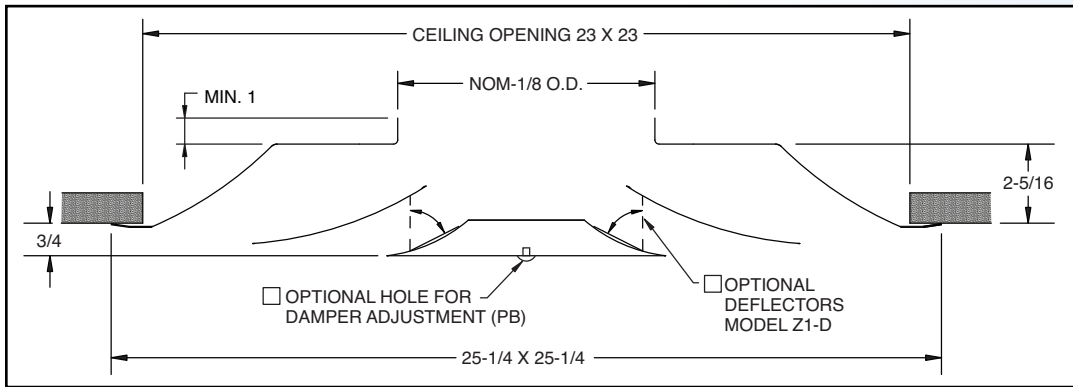
DIFFUSER OPTIONS

- Steel, aluminum, or stainless steel construction
- Custom or optional paint colors
- Inner cone deflectors (-D) to proportion air discharge quantity
- Model **VD** butterfly volume control damper
- Model **TBF** auxiliary mounting frame for hard / plaster ceilings
- All aluminum construction for MRI applications

Model Z1 Shown

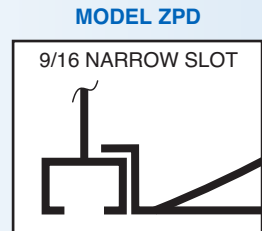
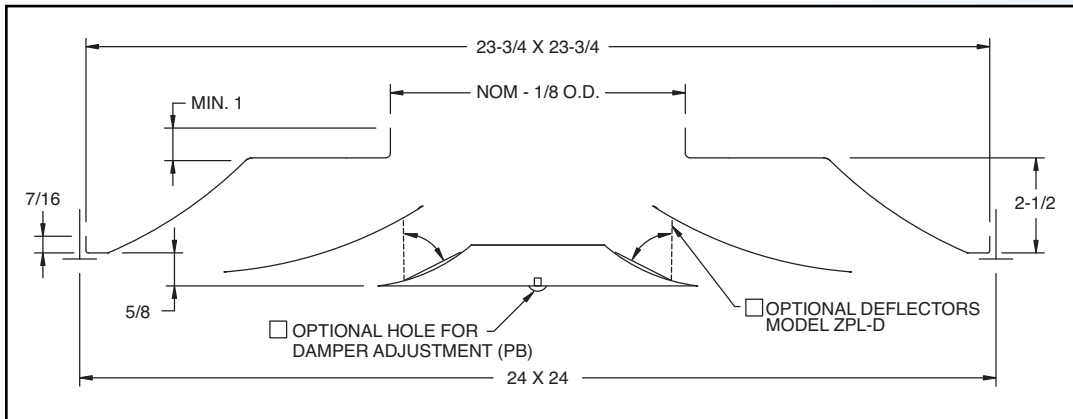


Model Z1 / Z1-D - Surface Mounted



NOMINAL INLET SIZE
4ø
5ø
6ø
8ø
10ø
12ø
14ø
15ø

Model ZPL / ZPL-D - Lay-In T-Bar



APPLICATION

- Recommended for constant or variable air volume heating, cooling, or ventilating
- Field adjustable air delivery pattern from horizontal to vertical air projection for heating-cooling applications
- 360° air pattern delivery maintains coanda effect even at low air flow rates and minimizes smudging in horizontal pattern setting

PRODUCT FEATURES

- Die stamped cones – no mitered corners
- Integral pattern deflectors rotate to adjust air pattern
- Uniform, 3 cone appearance regardless of neck size
- Removable inner cone assembly without use of tools
- Optional damper access through center hole with plug button
- Arctic White baked-on finish

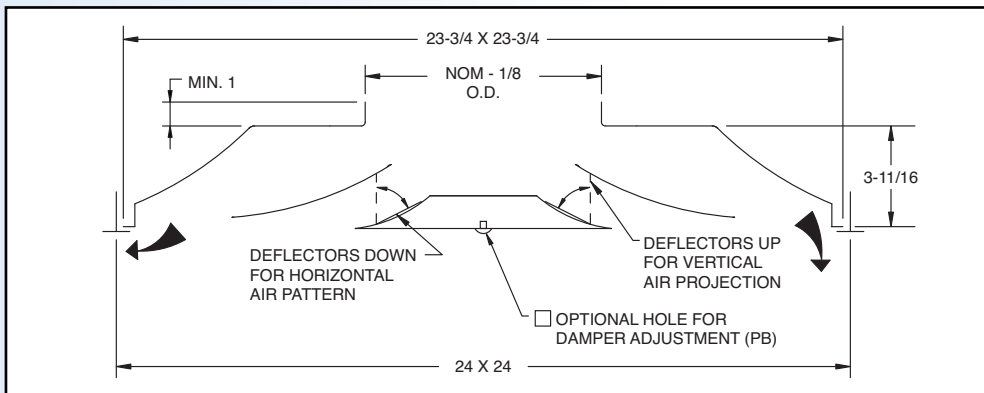


Model ZPLA Shown

DIFFUSER OPTIONS

- Steel or aluminum construction
- Custom or optional paint colors
- Model **VD** butterfly volume control damper
- Model **TBF** auxiliary mounting frame for hard / plaster ceilings

Model ZPLA - Lay-In T-Bar



NOMINAL INLET SIZE
6ø
8ø
10ø
12ø
14ø
15ø

Model Z1-A - Surface Mounted

