

APPLICATION

- Parallel type, fan assisted air terminal with integral hot water heating coil
- Provide hot water heating to perimeter spaces during occupied periods and night cycling temperature control with central fan systems shut down

FEATURES

Same as Model QPTS plus:

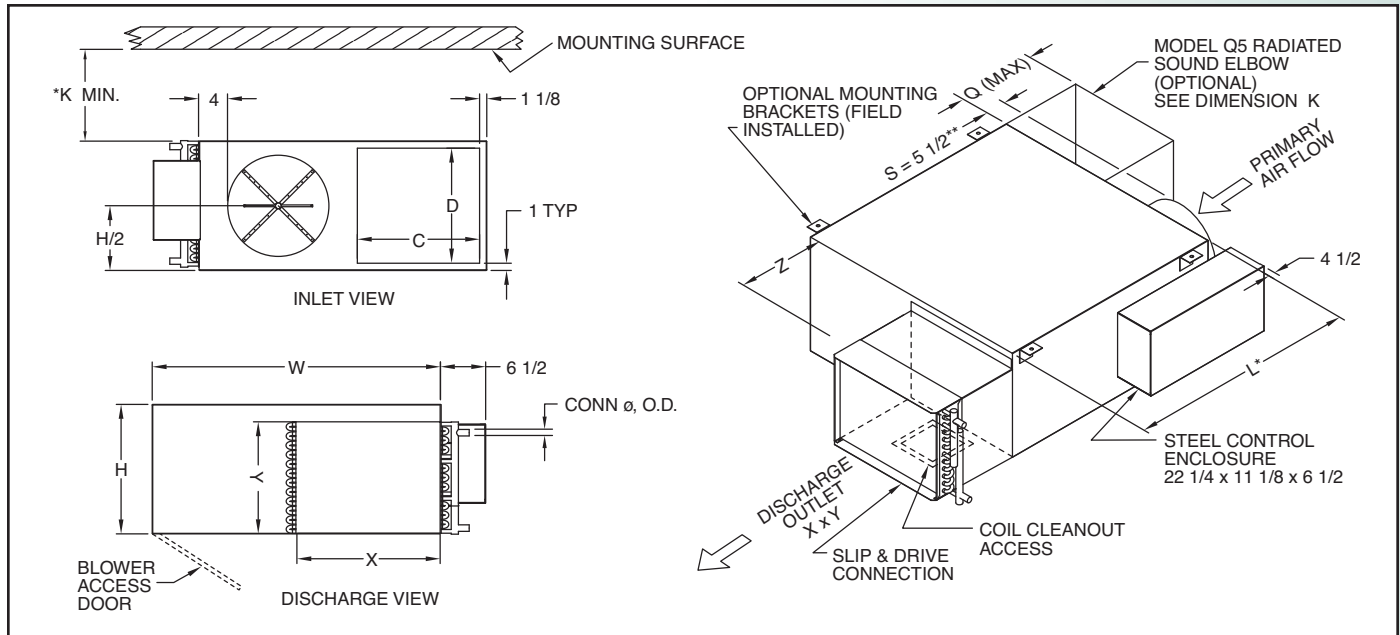
- 1 or 2 row hot water coils
- 1/2" O.D. copper tubes, .016" wall thickness, mechanically expanded in fins. Manifolds are minimum .028" wall thickness.
- Aluminum corrugated fins with rippled edges, .0055" thick, 10 per inch.
- Designed for maximum heat transfer and low water pressure drops using single and multi-circuited designs.
- Performance data per AHRI Standard 410
- Factory pressure tested for leaks at 300 psi, burst tested at 450 psi, ambient temperatures.
- 20 gauge galvanized sheet metal casing with 18 gauge end plates
- "Slip & Drive" connection provided for metal discharge duct connection
- Connections are male solder headers.



OPTIONS & ACCESSORIES

Same as Model QPTS plus:

- Right hand or left hand coil connection – factory configured
- Coil clean-out access door
- "Steam" construction available. Contact your local Anemostat representative.



Model Number QPTW	Cabinet Size	Motor H.P.	Nominal Inlet Diameter	Height H	Width W	Length L	Min. Discharge K	X	Y	Induction C	D	Q	1 Row Coil			2 Row Coil		
													Z	LB	Conn ø	Z	LB	Conn ø
11706, 11707, 11708, 11709	1	1/6	6, 7, 8, 9	15	34	30	6	16	15	13	12	18	12-1/4	99	7/8	13-1/2	103	1/2
12506, 12507, 12508, 12509	1	1/4	6, 7, 8, 9	15	34	30	6	16	15	13	12	18	12-1/4	102	7/8	13-1/2	106	1/2
21709, 21710, 21712	2	1/6	9, 10, 12	18	40	34	6	20	17-1/2	17	16	18	12-1/4	114	7/8	13-1/2	117	7/8
22509, 22510, 22512	2	1/4	9, 10, 12	18	40	34	6	20	17-1/2	17	16	18	12-1/4	119	7/8	13-1/2	122	7/8
25009, 25010, 25012	2	1/2	9, 10, 12	18	40	34	6	20	17-1/2	17	16	18	12-1/4	124	7/8	13-1/2	127	7/8
35012, 35014, 35016	3	1/2	12, 14, 16	20	46	40	8	24	17-1/2	21	18	20	12-1/4	154	7/8	13-1/2	160	7/8
37512, 37514, 37516	3	3/4	12, 14, 16	20	46	40	8	24	17-1/2	21	18	20	12-1/4	159	7/8	13-1/2	165	7/8
31012, 31014, 31016	3	1	12, 14, 16	20	46	40	8	24	17-1/2	21	18	20	12-1/4	166	7/8	13-1/2	172	7/8