

APPLICATION

- Perforated supply diffuser with adjustable discharge pattern controllers attached to face that are easily configured for 1, 2, 3, or 4 way horizontal air discharge pattern or vertical projection to meet changing space needs
- Exhibits excellent VAV performance maintaining a horizontal pattern for the entire operating range
- Applicable to heating, cooling, and ventilation of spaces

PRODUCT FEATURES

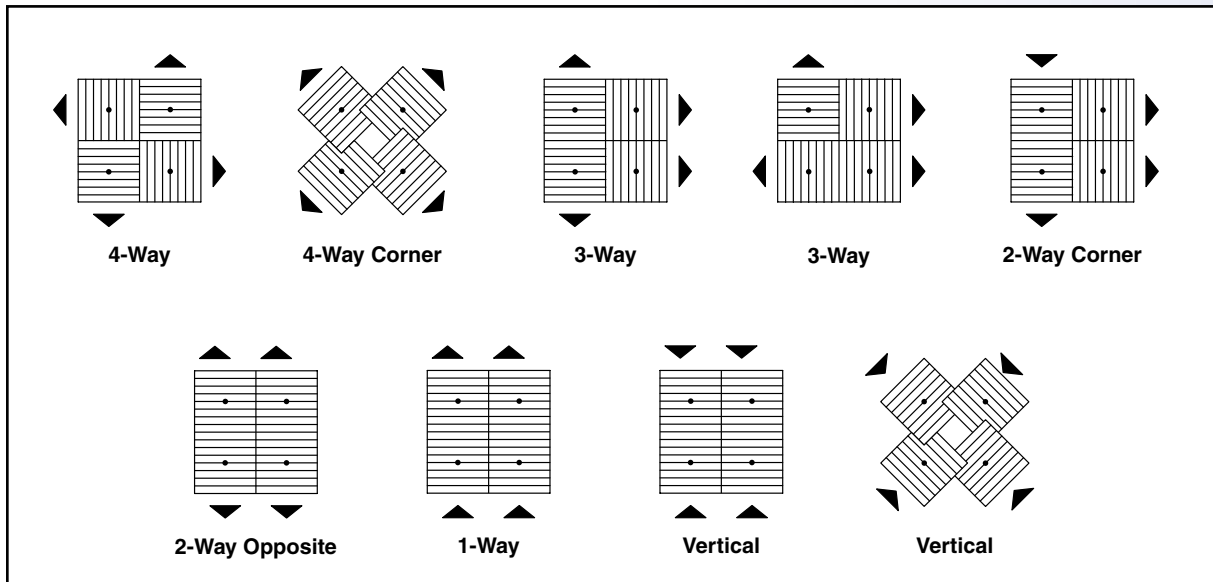
- Arctic white unit including face, backpan, and controllers
- Removable face for cleaning, pattern, or volume adjustment
- Face pattern is 3/16" dia holes on 1/4" centers – 50% free area.
- Round or square necks
- Earthquake loops

OPTIONS

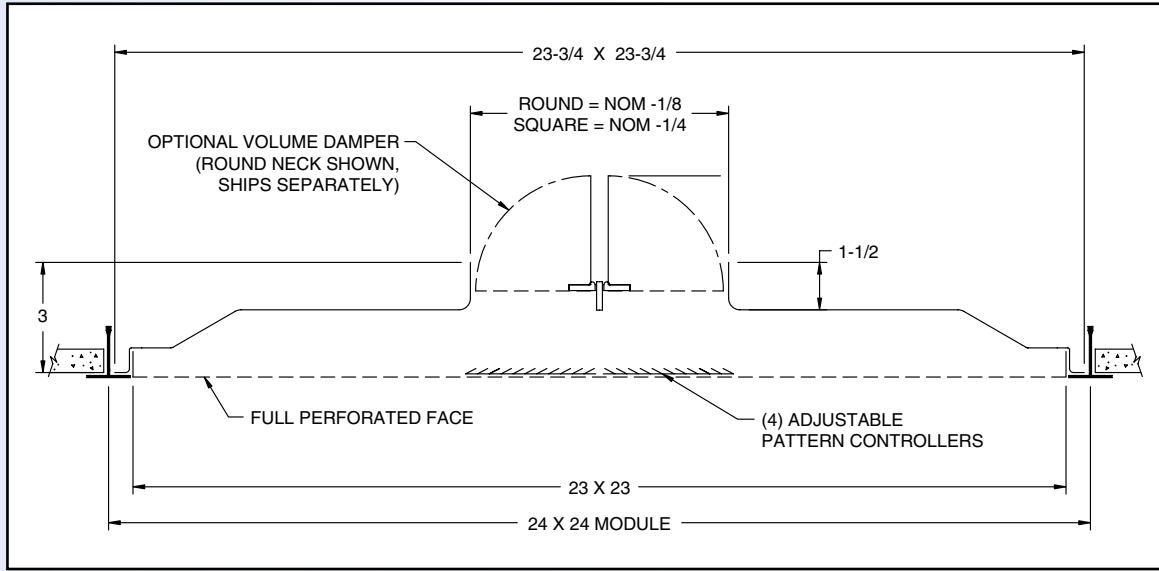
- Aluminum or stainless steel face
- Butterfly volume damper (round neck)
- Opposed blade volume control damper (square neck)
- Equalizing Deflector
- Square to round duct adapter
- Black backpan and controllers



CORE PATTERNS

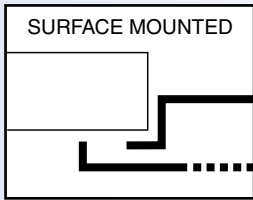


Model CGL - Lay-In T-Bar

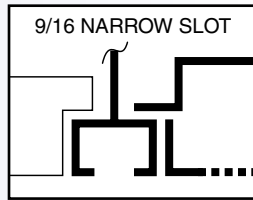


AVAILABLE NECK SIZES	
ROUND	SQUARE
6ø	6 x 6
7ø	
8ø	8 x 8
9ø	
10ø	10 x 10
12ø	12 x 12
14ø	14 x 14
16ø	16 x 16
18ø	18 x 18

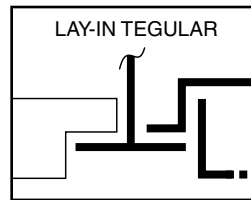
Model CGF



Model CGM



Model CGT



Model CGC

