

### APPLICATION

- Installed at duct take-off feeding diffuser to provide uniform airflow into the diffuser. Placed at take-off with its top flush with bottom of supply duct. May also be located in diffuser neck.
- Reduce sound levels and diffuser operating pressure, and improve air distribution where non-uniform flow may occur.
- For directional control, ED is placed in the neck of the diffuser with blades at 90° to long axis of room and set to direct airflow in desired direction(s). If room dimension ratios are as great as 2 to 1, two ED's may be used, one installed above the other with its blades at 90° to those of the first and turned inward. Use caution and size diffuser to avoid excessive neck velocities and noise

### PRODUCT FEATURES

- Individually adjustable deflector blades allow additional control when needed
- Coated steel construction
- Field installed accessory

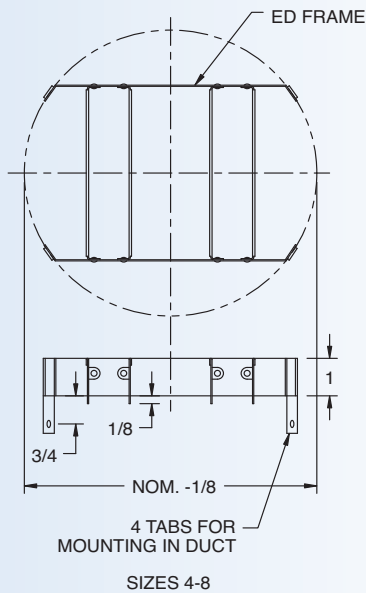
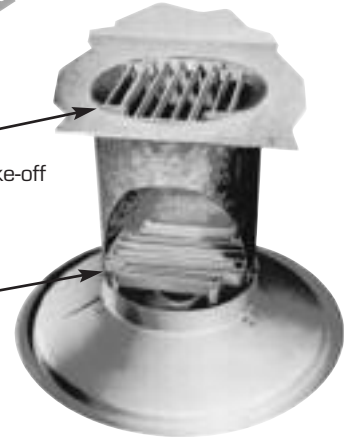
### OPTIONS

- Aluminum construction

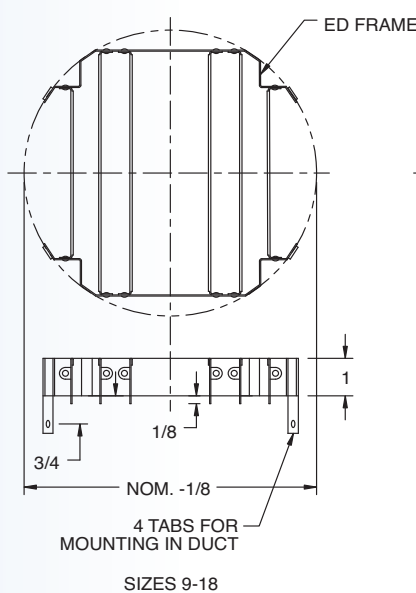


**Model CED**  
Located at duct take-off

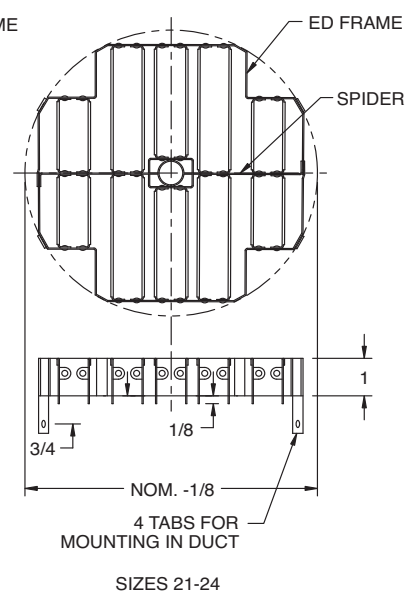
**Model CED**  
Located in diffuser neck



SIZE BY NECK DIA. (I.D.)	E.D. DIA. (OUTSIDE)
4	3-5/8
5	4-5/8
6	5-5/8
7	6-5/8
8	7-5/8



SIZE BY NECK DIA. (I.D.)	E.D. DIA. (OUTSIDE)
9	8-5/8
10	9-5/8
12	11-5/8
14	13-5/8
15	14-1/2
16	15-1/2
18	17-1/2



SIZE BY NECK DIA. (I.D.)	E.D. DIA. (OUTSIDE)
21	20-1/2
24	23-1/2