

MAXIMUM SECURITY

STANDARD FEATURES

- FACE/BACK PLATE: 3/16" thick steel perforated faces
1/4" diameter holes on 3/8" staggered centers
- SLEEVE: 12 GA steel sleeve with continuous welds to face plate (specify length)

FINISH

- STANDARD: White Powder Coat Finish
- OPTIONAL: Rust Inhibiting Prime Coat. Consult factory for other finishes

OPTIONAL FEATURES

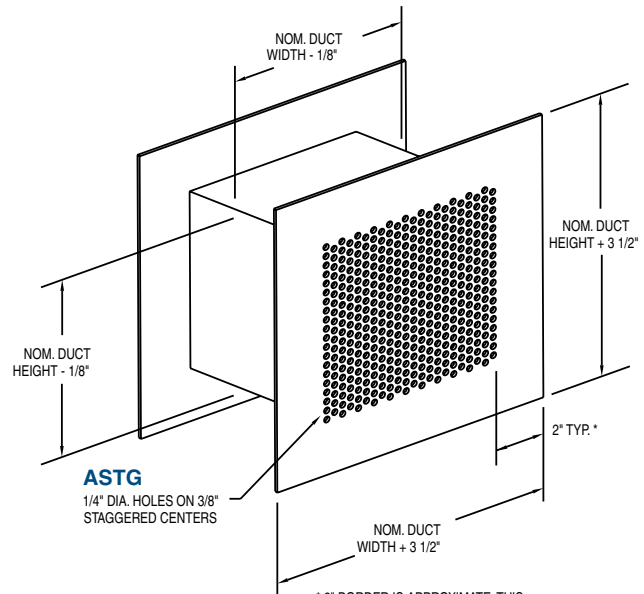
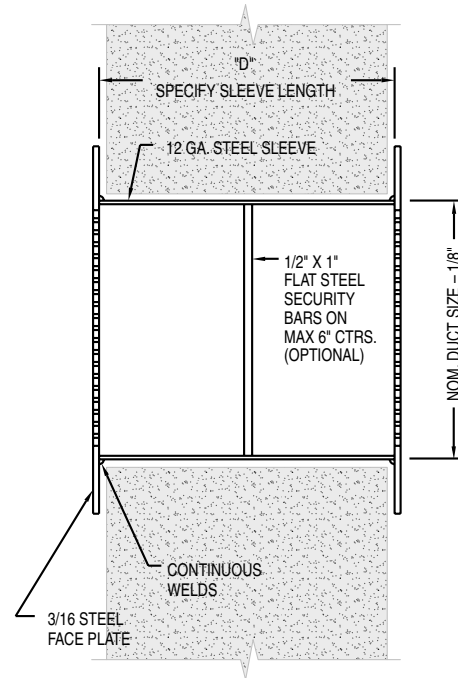
- ASTG FACE PLATE PATTERNS:
 - 9/16" square holes on 11/16" centers
 - 13/16" square holes on 1" centers
 - 5/16" diameter holes on 7/16" staggered centers
- ASTG-RR* ...FACE/BACK PLATE: 3/16" thick steel perforated face with 3/16" diameter holes on 9/32" staggered centers
- MATERIAL GAUGES: face/back plate - 10 GA - 12 GA
sleeve - 3/16", 10 GA
- MATERIAL: Stainless Steel, Aluminum, or Galvanized (consult factory for availability)
- SECURITY BARS: 1/2" x 1" flat steel (max 6" ctrs) (other sizes available)
- ANCHORING STUDS: Nelson-Type for poured concrete/brick wall applications
- REMOVABLE FACE PLATE: with Flanged Sleeve on one side

CONSTRUCTION

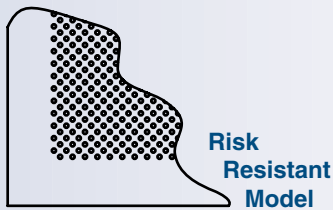
The steel face plates have continuous welds to the steel sleeve

INSTALLATION

The ASTG/ASTG-RR* is designed as a transfer grille installed between two rooms for ventilation purposes. The unit is installed when the walls are being constructed in order for the wall to be sandwiched between the companion face plates. Thus the grille becomes an integral part of the wall.



* 2" BORDER IS APPROXIMATE. THIS DIMENSION IS A FUNCTION OF SIZE AND PERFORATED PATTERN.



ASTG-RR *

3/16" DIA. HOLES ON 9/32" STAGGERED CENTERS

* California Title 24 Compliant for Suicide Resistance