



Anemostat®

AIR DISTRIBUTION

SUBMITTAL SHEET

www.anemostat-hvac.com



Model **TP-1**

TERMINATION PLATE
FOR OB-6 CABLE DAMPER

PRODUCT FEATURES

- Terminates the OB-6 cable in a wall or ceiling
- Attach plate to the cable after pulling cable through wall/ceiling
- Ships separate from OB-6 (ordered separately & OB-6 must be specified to be used with TP-1)
- Steel construction
- Arctic White power coat finish
- (2) #8 x 1-1/2 screws & (1) White Plug Button (separate)

CONSTRUCTION FEATURES

Material:

Steel (std)

Aluminum (opt)

Stainless Steel (opt)

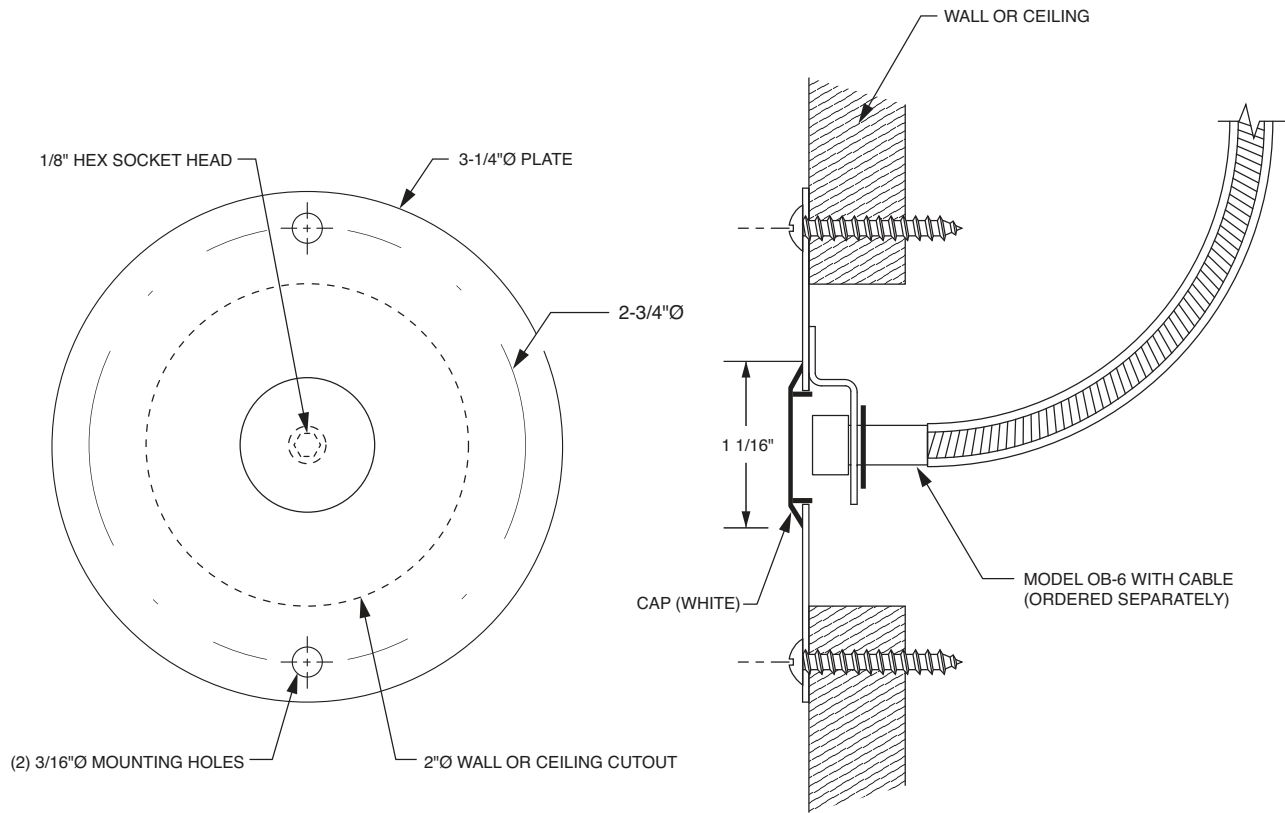
Finish:

White (std)

Custom Color (opt):

MODELS

TP-1-ST-WH Termination Plate, Steel, White



All dimensions are in inches.

JOB NAME:

SUBMITTED BY: