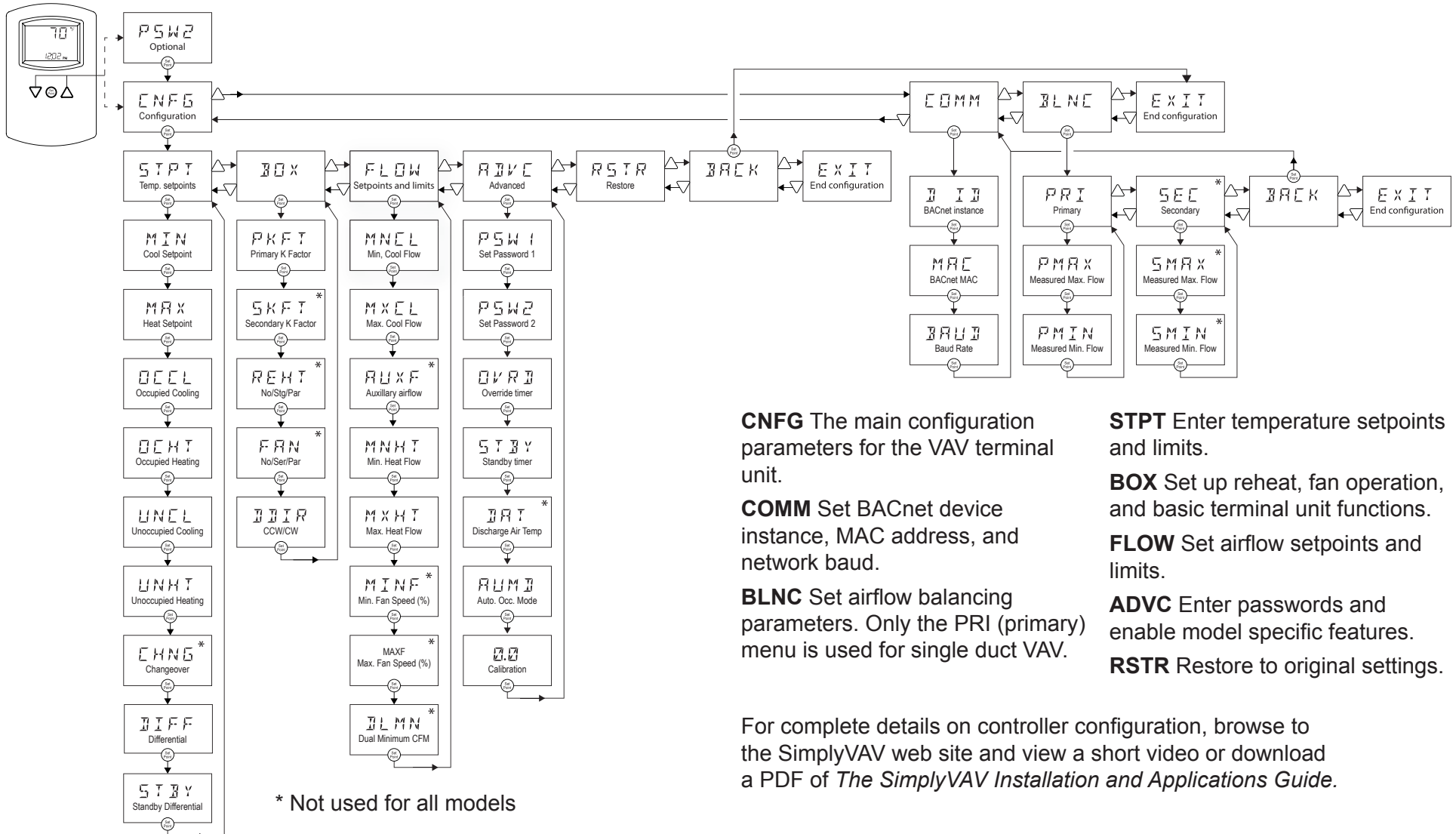


Use an STE-8001 or STE-8201 sensor to configure the Simply VAV controller. If another type of sensor is installed as the room sensor, temporarily connect an STE-8001 as a service tool.

To get started:

- ◆ Press together the up Δ and down ∇ buttons to start configuration or balancing.
- ◆ Enter Password 2 if required. New installations do not have a password.
- ◆ Press the up Δ and down ∇ buttons to move between functions or change values.
- ◆ Press the setpoint \odot button to choose a selection or save a value.



CNFG The main configuration parameters for the VAV terminal unit.

COMM Set BACnet device instance, MAC address, and network baud.

BLNC Set airflow balancing parameters. Only the PRI (primary) menu is used for single duct VAV.

STPT Enter temperature setpoints and limits.

BOX Set up reheat, fan operation, and basic terminal unit functions.

FLOW Set airflow setpoints and limits.

ADVC Enter passwords and enable model specific features.

RSTR Restore to original settings.

For complete details on controller configuration, browse to the SimplyVAV web site and view a short video or download a PDF of *The SimplyVAV Installation and Applications Guide*.