

These instructions cover installing SimplyVAV discrete room temperature sensors. For additional information on SimplyVAV products, browse to the SimplyVAV web site.



STE-6014W80 STE-6010W80 STE-6017W80

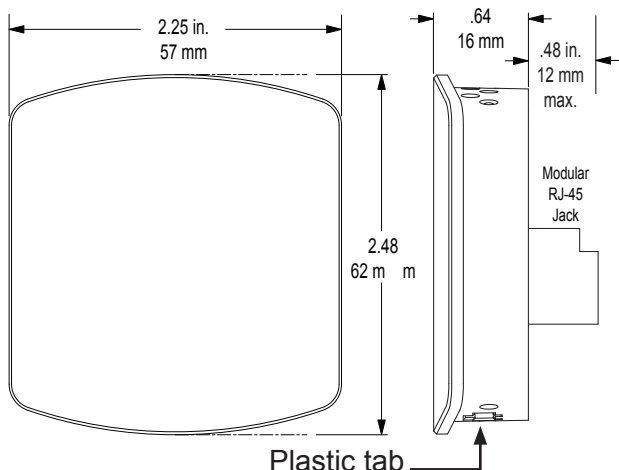
Location

Install the sensor on an inside wall where it can sense the average room temperature. Place it away from direct sunlight, heat sources, windows, or air vents. Avoid also air circulation obstructions such as curtains or large pieces of furniture. It can be mounted on a hollow wall or, by using an HMO-6036W80 universal backplate, mounted to a 2 x 4 inch electrical handy box.

Cover removal

The cover is held to the black base by three, small, round pegs that fit in the holes of the cover. The bottom peg is on a tab and snaps into the center bottom hole.

1. With a small Phillips screwdriver or hex wrench, press in and hold the plastic tab button that snaps into the center hole on the bottom of the cover. Do not use excessive force and deform or break the tab.
2. Carefully pull the cover from the black base.



Handy Box Installation (Recommended)

1. Route a standard Ethernet patch cable from the SimplyVAV controller to the sensor location and through the hole in a HMO-6036W80 backplate.
2. Mount the backplate to the handy box using the two screws provided.
3. Remove the sensor cover from the black base (see the *Cover removal* section).
4. Route the Ethernet cable through the black base.
5. With the plastic tab button on the bottom, attach the base to the universal backplate using the two screws provided.
6. Plug the Ethernet cable into the back of the sensor.
7. Reinstall the sensor cover.

Hollow Wall Installation

1. Route a standard Ethernet patch cable from the SimplyVAV controller to the sensor location.
2. Remove the sensor cover from the black base (see the *Cover removal* section).
3. Using the base as a template, drill two holes for mounting screws and cut a center hole for the jack.
4. Route the Ethernet cable through the black base.
5. Attach the base to the wall using two #6 self-threading screws.
6. Plug the Ethernet cable into the back of the sensor.
7. Reinstall the cover.

Maintenance

Careful installation will also ensure long-term reliability and performance. Remove dust as necessary from holes in top and bottom. Clean with a soft, damp cloth and mild soap.