

# S-VENT<sup>®</sup>

## SUBMITTAL SHEET



1220 WATSONCENTER ROAD • CARSON, CA 90745-4206  
 (310) 835-7500 • FAX (310) 835-0448  
 e-mail: airsec@anemostat.com • website: www.anemostat-hvac.com

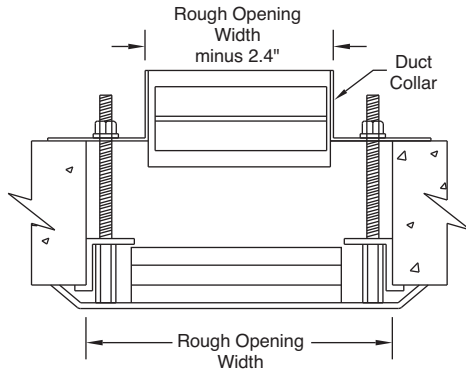
# SSV23-\_\_-ZB

SPECIFY TYPE

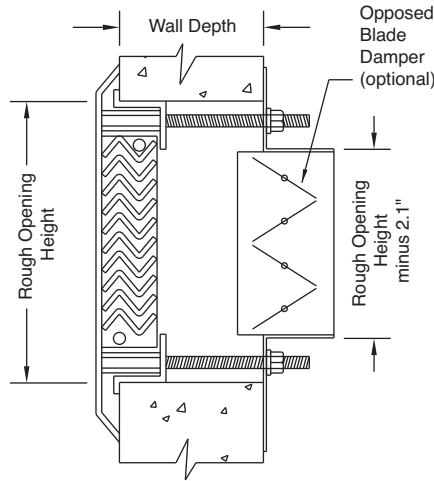
## MAXIMUM SECURITY GRILLE

7/16" X 3/16" OPENING  
 with  
 FACE MOUNTED Z-BRACKET

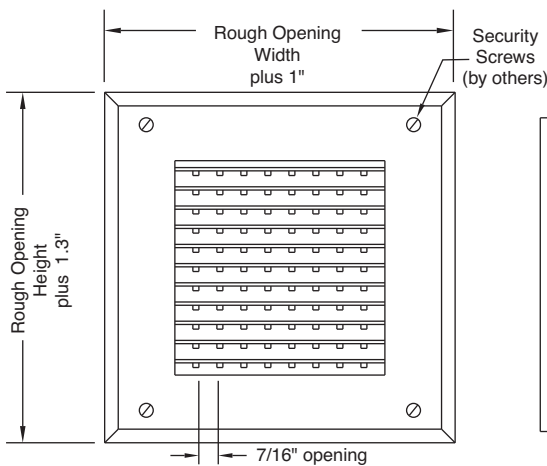
**TOP SECTION**



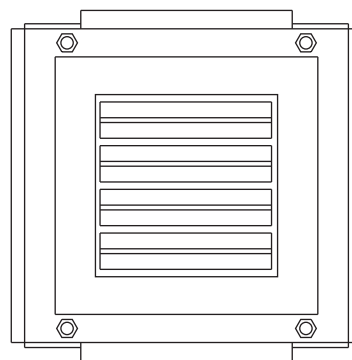
**SIDE SECTION**



**FRONT SECTION**



**FRONT SECTION without GRILLE, with OBD**



## PRODUCT FEATURES

**Face Flange**

14 GA (standard)

**Material Type**

Stainless Steel (standard)

**Horizontal/Vertical Mullions**

14 GA with 1 7/16" Neck Depth (std)

**Duct Collar**

14 GA Galvanized (standard)

**Opposed Blade Damper** (optional)  
 (galvanized, shipped loose)

Front Operated

Rear Operated

**Coupling Nuts with Threaded Rods**

(standard)

**Finish**

2B Mill Finish (std)

White Powder Coat (opt)

Other Powder Coat Colors \_\_\_\_\_

**Z-Bracket for Wall Mount**

Aligns with Rear Mounting Bracket

**IMPORTANT:** It is the specifier's responsibility to properly configure the HVAC system to meet the appropriate level of comfort, safety, security and detention

**MUST SPECIFY TYPE (BASED ON ROUGH OPENING SIZE) AS PART OF MODEL NUMBER WHEN PLACING ORDER**

**ROUGH OPENING SIZES (WIDTH X HEIGHT)**

Dimensions in Inches		WIDTH								
		6.4	8.4	10.4	12.4	14.4	16.4	18.4	20.4	22.4
HEIGHT	6.1	A1	B1	C1	D1	E1	F1	G1	H1	J1
	8.1	A2	B2	C2	D2	E2	F2	G2	H2	J2
	10.1	A3	B3	C3	D3	E3	F3	G3	H3	J3
	12.1	A4	B4	C4	D4	E4	F4	G4	H4	J4
	14.1	A5	B5	C5	D5	E5	F5	G5	H5	J5
	16.1	A6	B6	C6	D6	E6	F6	G6	H6	J6
	18.1	A7	B7	C7	D7	E7	F7	G7	H7	J7
	20.1	A8	B8	C8	D8	E8	F8	G8	H8	J8
	22.1	A9	B9	C9	D9	E9	F9	G9	H9	J9

QTY	TYPE	ROUGH OPENING W" X H"	WALL DEPTH
27	C4	10.3 X 12.1	6"

**SUBMITTAL APPROVAL**

<b>Job Name and Location</b>			
<b>Engineer</b>	Date	<b>Factory</b>	Date
<b>Mfr. Rep.</b>	Date	<b>Submitted By</b>	Date

MARCH 2015  
 NEW CONSTRUCTION  
 STAINLESS STEEL