



Anemostat®

SUBMITTAL

A MESTEK COMPANY

1220 Watson Center Road • Carson, CA 90745-4206
 (310) 835-7500 • FAX (310) 835-0448
 airhelp@anemostat.com • www.anemostat.com

Model SRA

SQUARE TO ROUND NECK ADAPTER

GRILLES, REGISTERS & DIFFUSERS

ACCESSORIES

PRODUCT FEATURES

- The Model SRA Square to Round Neck Adapters are available on Grilles, Registers and Diffusers to provide for an economical transition from square to round necks on those projects using flex or round rigid duct connections.
- SRA Adapters are constructed of coated steel and are supplied separate from the diffuser but may be ordered attached.
- SRA Adapters are available in a full range of sizes.

CONSTRUCTION DETAILS

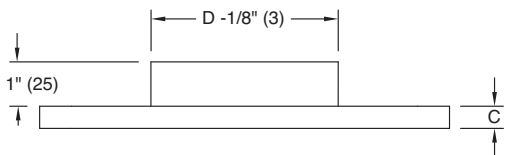
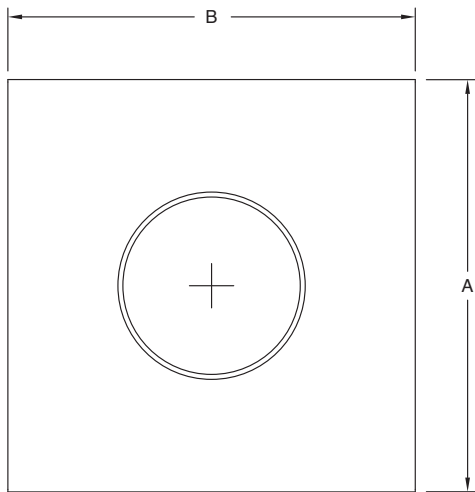
Material: 24 GA (0.60mm) Coated Steel (**std**)

- Aluminum (opt)
- 304 Stainless Steel (opt)

Finish: Coated Steel (**std**)

- Black (opt)
- Arctic White (opt)
- Mill (optional on aluminum or stainless steel only)

- Shipped Loose - Field Installed (**std**)
- Factory Attached to Grille (opt)



D = Nominal Neck Diameter

Note: Nominal neck diameter can equal smaller of A or B dimension

Dimensions in () are millimeters

	Model	Model	GRD Material			A & B	C
			ST	AL	SS		
Surface Grilles (No Dampers)	SRA-A	1,2,3,E3,HD	●	●		Nom Neck - 1/4 (6)	1-1/2" (38)
	SRA-A	GC5, 3P,3PS	●	●		Nom Neck - 1/4 (6)	1-1/2" (38)
	SRA-A	XR2, XR3		●		Nom Neck - 1/4 (6)	1-1/2" (38)
	SRA-G	X1CS,SS1CS,SSGC5		●	●	Nom Neck	1-1/2" (38)
	SRA-E	3/E3/GC5/XR2/XR3-81/82	●	●		Nom Neck + 1/4 (6)	1-1/2" (38)
	SRA-E	ASSG-81/82			●	Nom Neck + 1/4 (6)	1-1/2" (38)
	SRA-G	1,2,3			●	Nom Neck	1-1/2" (38)
	SRA-A	3PR,3PTD,3PCD,3PHD,3MD	●	●	●	Nom Neck - 1/4 (6)	1-1/2" (38)
Surface Registers (OBD)	SRA-H	1,2,3,E3,HD	●	●		Nom Neck	4-3/4" (121)
	SRA-H	GC5,3P,3PS	●	●		Nom Neck	4-3/4" (121)
	SRA-H	XR2, XR3		●		Nom Neck	4-3/4" (121)
	SRA-H	X1CS,SS1CS,SSGC5		●	●	Nom Neck	4-3/4" (121)
	SRA-F	3/E3/GC5/XR2/XR3-81/82	●	●	●	Nom Neck + 1/4 (6)	4-3/4" (121)
	SRA-F	ASSG-81/82			●	Nom Neck + 1/4 (6)	4-3/4" (121)
	SRA-H	1,2,3			●	Nom Neck	4-3/4" (121)
	SRA-H	3PRF,3PTD,3PCD,3PHD,3MD	●	●	●	Nom Neck	4-3/4" (121)
Lay-In Grilles (No Dampers)	SRA-C	GC5L		●		Nom Grid - 1-1/8 (29)	1-1/2" (38)
	SRA-C	AC	●	●		Nom Grid - 1-1/8 (29)	1-1/2" (38)
	SRA-G	X1CLP, SS1CS		●	●	Nom Neck	1-1/2" (38)
	SRA-A	1,2,3,GC5-FP	●	●		Nom Neck - 1/4 (6)	1-1/2" (38)
	SRA-M	3/E3/GC5-81/82-L	●	●	●	Nom Grid - 2-1/4 (57)	1-1/2" (38)
	SRA-G	3/E3/GC5-FP-81/82	●	●	●	Nom Neck	1-1/2" (38)
	SRA-A	3PLD,3PRD	●	●	●	Nom Neck - 1/4 (6)	1-1/2" (38)
	SRA-A	3PRD-81/82	●	●	●	Nom Neck - 1/4 (6)	1-1/2" (38)
Lay-In Registers (OBD)	SRA-D	GC5L		●		Nom Grid - 1 (25)	4-3/4" (121)
	SRA-D	AC	●	●		Nom Grid - 1 (25)	4-3/4" (121)
	SRA-H	X1CLP, SS1CS		●	●	Nom Neck	4-3/4" (121)
	SRA-H	1,2,3,GC5-FP	●	●		Nom Neck	4-3/4" (121)
	SRA-N	3/E3/GC5-81/82-L	●	●	●	Nom Grid - 2 (51)	4-3/4" (121)
	SRA-H	3/E3/GC5-FP-81/82	●	●	●	Nom Neck	4-3/4" (121)
	SRA-H	3PLD,3PRD	●	●	●	Nom Neck	4-3/4" (121)
	SRA-H	3PRD-81/82	●	●	●	Nom Neck	4-3/4" (121)
Diffusers	SRA-G	QC, RMD, PR	●	●		Nom Neck	1-1/2" (38)
	SRA-H	QC, RMD, PR (all with OBD)	●	●		Nom Neck	4-3/4" (121)
	SRA-G	HPX / D Directional	●	●	●	Nom Neck	1-1/2" (38)
	SRA-H	HPX / D Directional w/ OBD	●	●	●	Nom Neck	4-3/4" (121)
	SRA-H	HPX / D Directional w/OBD & DED	●	●	●	Nom Neck	4-3/4" (121)
	SRA-G	CG,PLD, PAC,PLD-X, 3RPLD	●	●	●	Nom Neck	1-1/2" (38)
SRA-H	CG,PLD, PAC,PLD-X, 3RPLD	●	●	●	Nom Neck	4-3/4" (121)	

All dimensions are in inches.

JOB NAME:

SUBMITTED BY: