

# Anemostat® SUBMITTAL

1220 Watson Center Road • Carson, CA 90745-4206  
 (310) 835-7500 • FAX (310) 835-0448  
 air@anemostat.com • www.anemostat-hvac.com

Models **SPT-P / SPTN-P**  
**PUNKAH TYPE**  
**SPOT DIFFUSER**  
**PANEL MOUNTED**

## DIFFUSERS

### PRODUCT FEATURES

- Individually adjustable spot diffusers
- Field adjustable directional control up to 75° total angle
- Includes screw holes and factory supplied screws
- Integral volume control damper changes effective nozzle area while maintaining jet discharge velocity. Knurled adjustment knob means no tools required

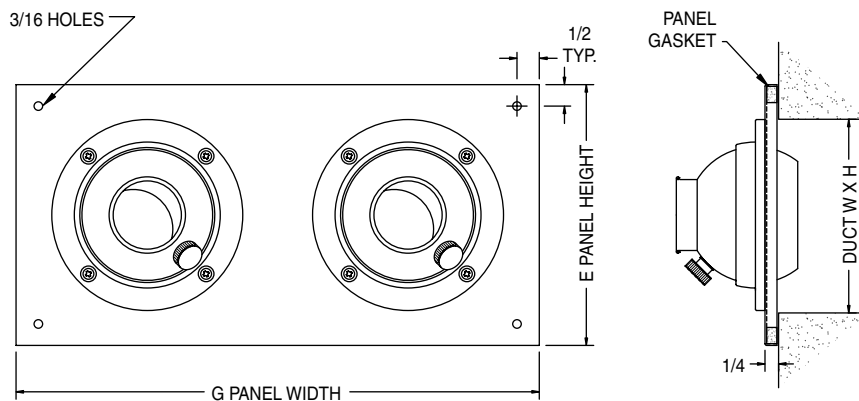
### CONSTRUCTION DETAILS

- Diffuser Material:** Aluminum
- Finish:** Clear Anodize (**std**)
- Custom Colors (opt)
- Panel Material:** 304 Stainless Steel (satin polish finish) (**std**)
- Clear Anodized Aluminum (opt)

### MODELS

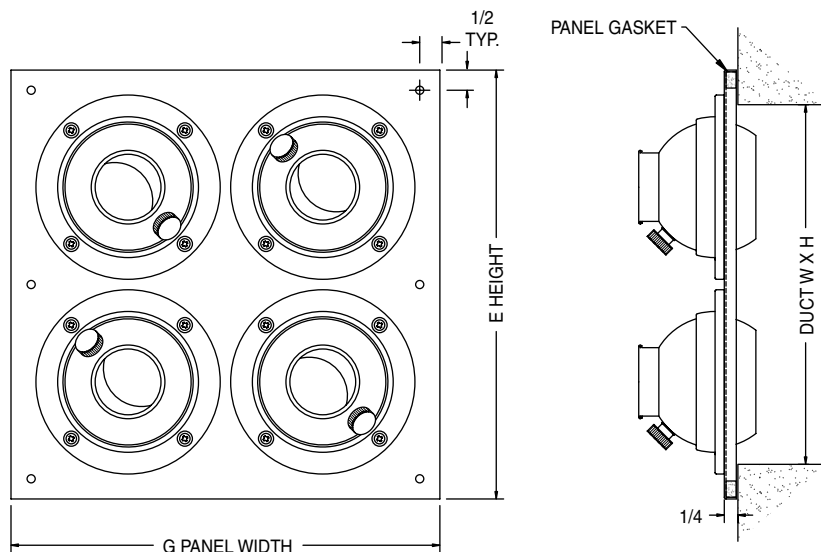
- SPT-P2** (2 diffusers)  
With Volume Control Damper
- SPTN-P2** (2 diffusers)  
Without Volume Control Damper
- SPT-P4** (4 diffusers)  
With Volume Control Damper
- SPTN-P4** (4 diffusers)  
Without Volume Control Damper

### SPT-P2 (2 Diffusers)



MODEL	DUCT W X H	G	E	MODEL
SPT-P2-3	10 x 4	12	6	SPTN-P2-3
SPT-P2-4	12 x 6	14	8	SPTN-P2-4
SPT-P2-5	14 x 6	16	8	SPTN-P2-5
SPT-P2-6	16 x 8	18	10	SPTN-P2-6
SPT-P2-7	18 x 9	20	11	SPTN-P2-7
SPT-P2-8	20 x 10	22	12	SPTN-P2-8

### SPT-P4 (4 Diffusers)



MODEL	DUCT W X H	G	E	MODEL
SPT-P4-3	10 x 10	12	12	SPTN-P4-3
SPT-P4-4	12 x 12	14	14	SPTN-P4-4
SPT-P4-5	14 x 14	16	16	SPTN-P4-5
SPT-P4-6	16 x 16	18	18	SPTN-P4-6
SPT-P4-7	18 x 18	20	20	SPTN-P4-7
SPT-P4-8	20 x 20	22	22	SPTN-P4-8

All dimensions are in inches.

JOB NAME:

SUBMITTED BY: