



Anemostat® SUBMITTAL

1220 Watson Center Road • Carson, CA 90745-4206
 (310) 835-7500 • FAX (310) 835-0448
 air@anemostat.com • www.anemostat-hvac.com

Model **SLSD** STEEL LINEAR SLOT DIFFUSERS 9/16" NARROW SLOT TWO WAY THROW

DIFFUSERS

PRODUCT FEATURES

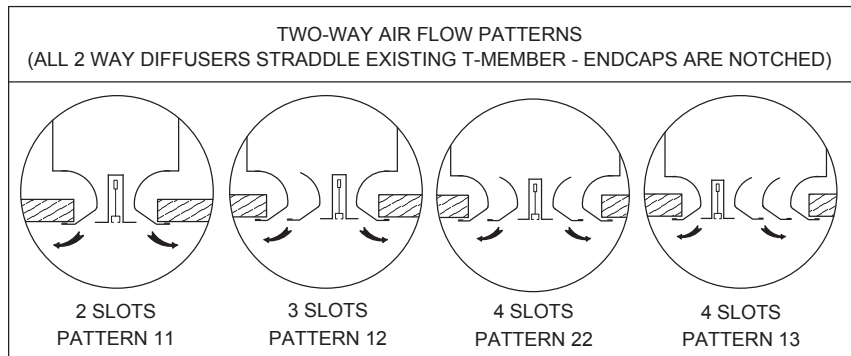
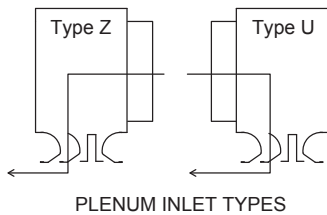
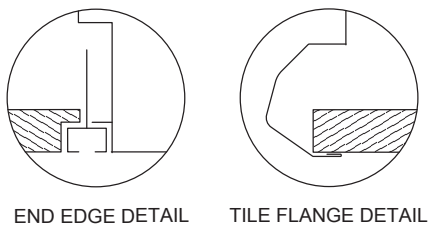
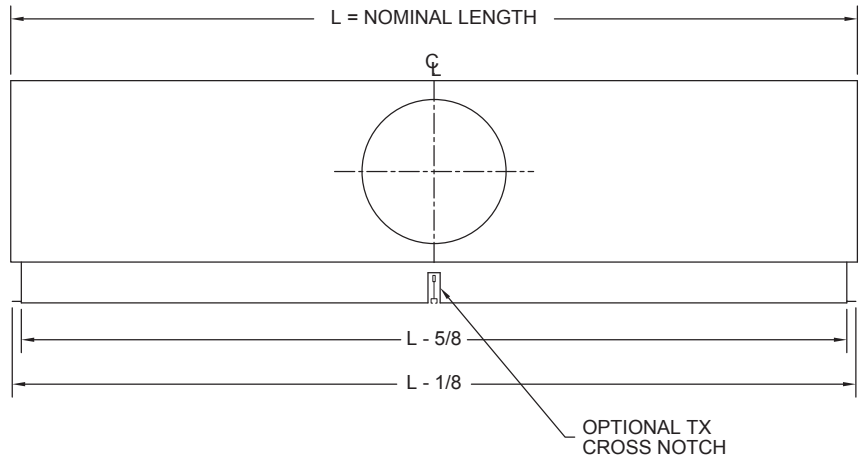
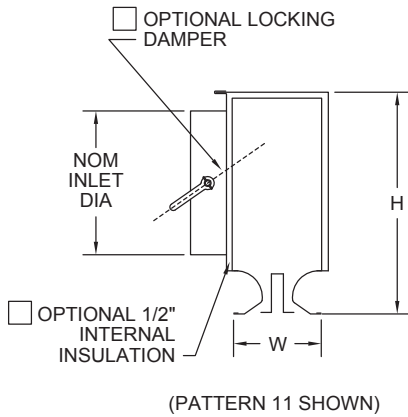
- Steel, fixed air pattern ceiling diffuser with 1 to 4 slots
- "Draftless" air distribution ideal for VAV systems
- Integral plenum reduces air leakage
- Choice of inlet locations. Specify type Z or U.
- End caps notched as standard to straddle existing grid.

CONSTRUCTION DETAILS

- Material:** 24 GA Galvannealed Steel
Finish: White on exposed surfaces (**std**)
- Special Finish (opt)

Models

- SLSD-D** Straddles T-Bar (notched end caps)
- SLSD-DX** 4' unit straddles T-Bar (notched end caps) with TX cross notch for 2' x 2' grid system



T-BAR AND TILES SHOWN FOR CLARITY ONLY, PROVIDED BY OTHERS

AIR PATTERN	DIFFUSER WIDTH W
11	4 1/8
12	5 3/8
22	6 5/8
13	6 5/8

NOMINAL LENGTH L
24
36
48
60

INLET DIAMETER	DIFFUSER HEIGHT H
5, 6	9 1/4
7, 8, 9	12 7/16
10	14

All dimensions are in inches.

JOB NAME:

SUBMITTED BY: