



# Anemostat® SUBMITTAL

1220 Watson Center Road • Carson, CA 90745-4206  
 (310) 835-7500 • FAX (310) 835-0448  
 airhelp@anemostat.com • www.anemostat.com

for  
TechZone  
Ceilings

## 4"

Model **TAZR4-50**  
**STRAIGHT LINE**  
**ADJUSTABLE DIFFUSER**  
 9/16" NARROW SLOT or  
 TEGULAR, 1/2" SLOT WIDTH

## DIFFUSERS

### PRODUCT FEATURES

- Designed for use with Armstrong 4" TechZone Ceiling Systems
- Standard lengths = 24", 30", 36", 48", 60", 72" (custom lengths available)
- 1/2" Slot Width, 1 to 2 slots (2 slot configuration shown)
- Includes plenum mounting yokes

### CONSTRUCTION DETAILS

- Extruded aluminum, adjustable linear slot diffuser

#### Finish:

- Arctic White Border and Center Tees, Black Volume / Pattern Controllers
- Optional Anemostat Color
- Custom Color Match

### MODELS

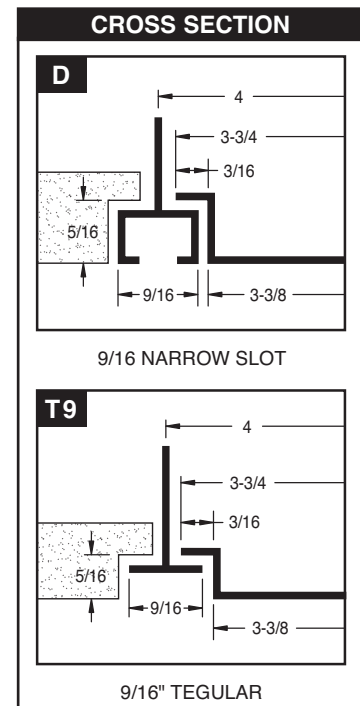
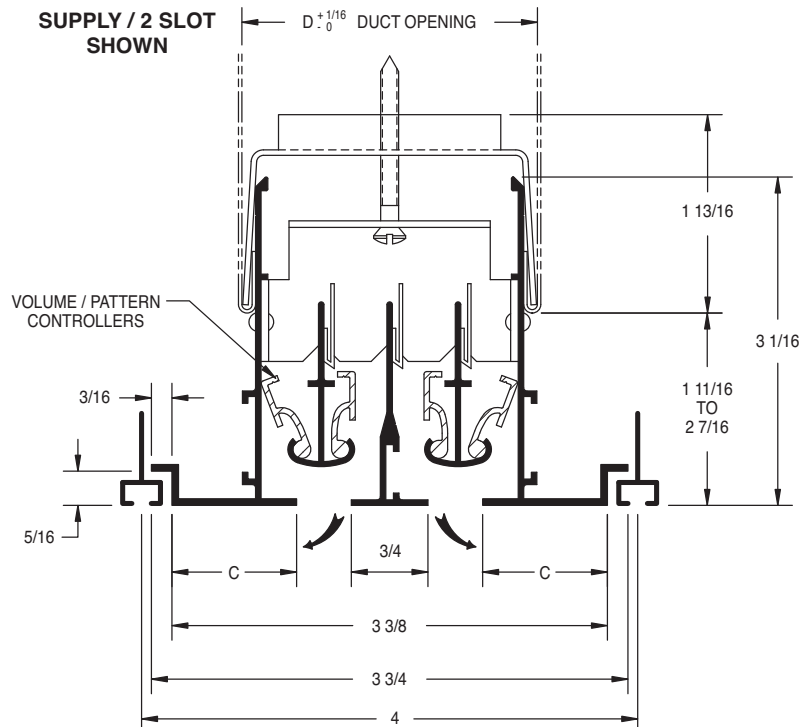
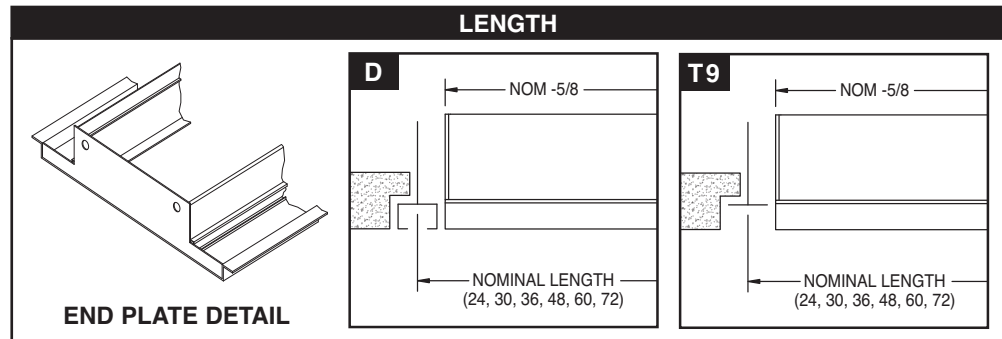
#### Supply Diffusers

- TAZR4-S-D** 9/16" Narrow Slot Ceiling
- TAZR4-S-T9** 9/16" Tegular Ceiling

#### Returns (No Volume / Pattern Controllers)

- TAZR4-R-D** 9/16" Narrow Slot Ceiling
- TAZR4-R-T9** 9/16" Tegular Ceiling

# OF SLOTS	C	D
1	1-7/16	1-9/16
2	13/16	2-13/16



Armstrong and TechZone are registered trademarks of Armstrong World Industries, Inc.

All dimensions are in inches.

JOB NAME:

SUBMITTED BY: