

Anemostat® SUBMITTAL

1220 Watson Center Road • Carson, CA 90745-4206
(310) 835-7500 • FAX (310) 835-0448
airhelp@anemostat.com • www.anemostat.com

Model **SLAD/FREE-FLO/PRO-JET**
LINEAR DIFFUSERS
BASIC LINEAR SECTION / RUN

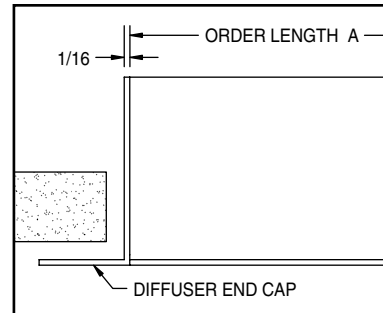
DIFFUSERS

PRODUCT FEATURES

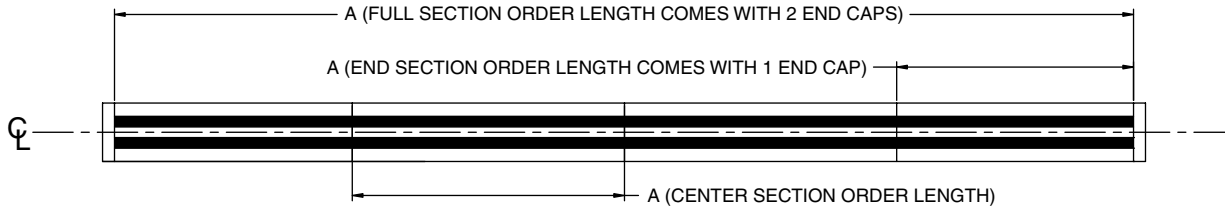
- Refer to specific SLAD / Free-Flo / Pro-Jet model documentation for dimensional and cross-sectional details
- Individual linear sections are available up to 72" standard lengths
- Order lengths greater than 72" will utilize multiple diffuser sections shipped with alignment strips to maintain a linear appearance.
- Diffusers are manufactured as Full, Center, or End sections based on placement of removable end caps.

SURFACE FRAMES CONSTRUCTION DETAILS

- Order length is length of diffuser section or continuous run excluding end cap(s).
- Each removable end cap adds 1/16" to the overall diffuser neck length (see detail A)
- Diffuser sections are manufactured as Full, Center, or End configurations (see detail B)



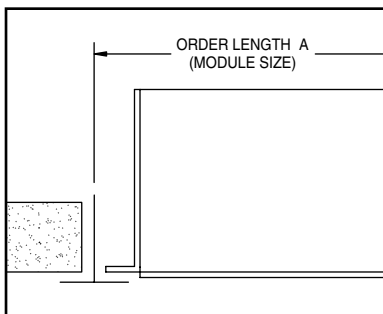
DETAIL A



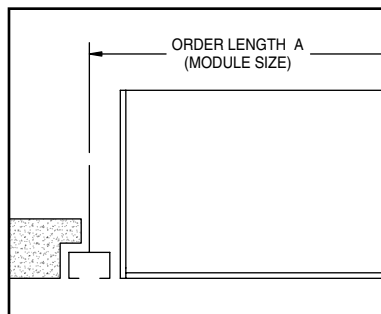
**DETAIL B
(FACE VIEW)**

SUSPENDED CEILING SYSTEMS CONSTRUCTION DETAILS

- Order length is the module size of the grid system (ex: 48")



LAY-IN T-BAR



9/16" NARROW SLOT

All dimensions are in inches.

JOB NAME:

SUBMITTED BY: