

PRODUCT FEATURES

- Fixed Louver Return
- Registers include a factory attached, steel opposed blade volume control damper

CONSTRUCTION DETAILS

Material:

- Steel Construction
- All Aluminum Construction

Finish:

- Arctic White (std)
- Custom Color (opt)

Models

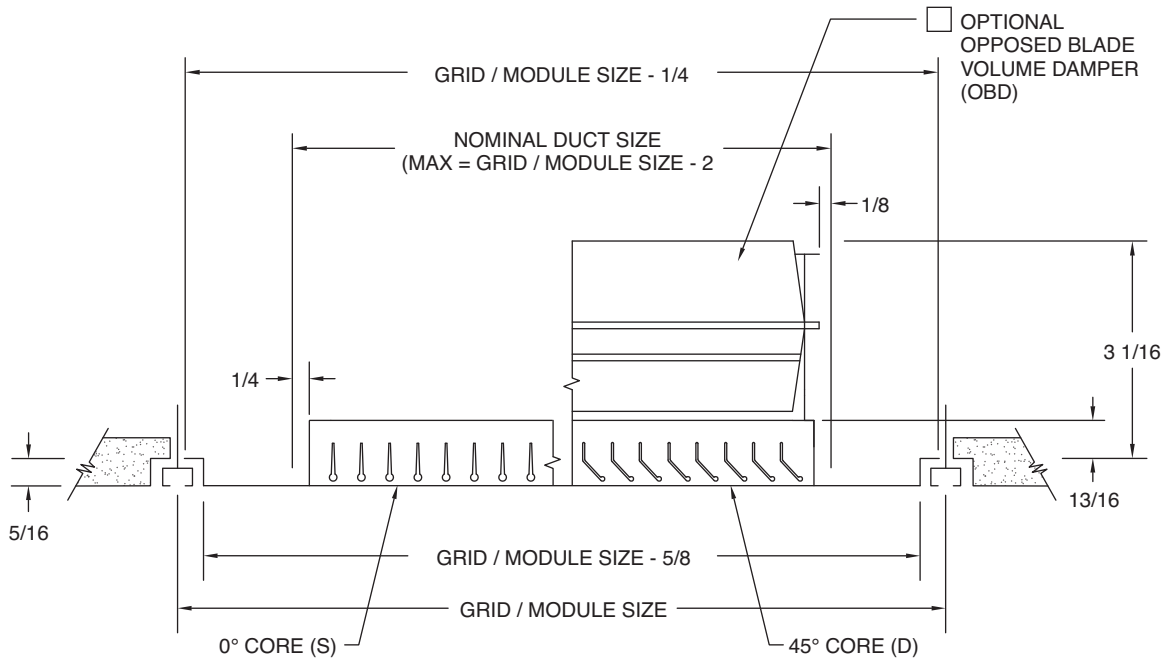
- 35-0-D** 0° Deflection
- 35-45-D** 45° Deflection

Extension Panel

- A** 06" x 30" Module
- B** 06" x 48" Module
- 11** 12" x 12" Module
- 12** 12" x 24" Module
- 22** 24" x 24" Module
- 24** 24" x 48" Module
- 30** 30" x 30" Module

Accessories

- OB** Opposed Blade Damper



GRID / MODULE SIZE	MAX NECK SIZE
12 x 12	10 x 10
12 x 24	10 x 22
24 x 24	22 x 22
24 x 48	22 x 46
48 x 48	46 x 46

NOTE: Louvers are parallel to longer neck dimension as standard.

All dimensions are in inches.

JOB NAME:

SUBMITTED BY: