

**PRODUCT FEATURES**

- Fixed Louver Return
- Registers include a factory attached, opposed blade volume control damper

**CONSTRUCTION DETAILS**

**Material:**

- Steel Construction
- All Aluminum Construction

**Finish:**

- Arctic White (std)
- Custom Color (opt)

**Models**

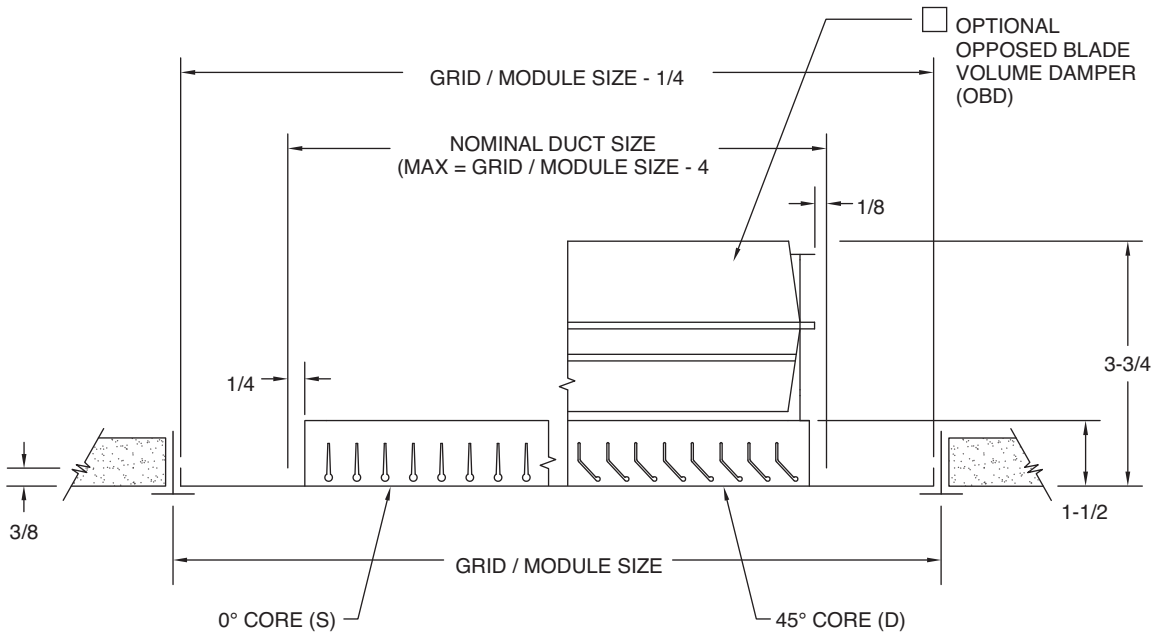
- 35-0-L** 0° Deflection
- 35-45-L** 45° Deflection

**Extension Panel**

- A** 06" x 30" Module
- B** 06" x 48" Module
- 11** 12" x 12" Module
- 12** 12" x 24" Module
- 22** 24" x 24" Module
- 24** 24" x 48" Module
- 30** 30" x 30" Module

**Accessories**

- OB** Opposed Blade Damper



GRID / MODULE SIZE	MAX NECK SIZE
12 x 12	8 x 8
12 x 24	8 x 20
24 x 24	20 x 20
24 x 48	20 x 44
48 x 48	44 x 44

**NOTES:**

- Louvers are parallel to longer neck dimension as standard.
- For Nominal Neck Size = Grid / Module Size - 2, use 35 surface mounted unit without screw holes in border.

All dimensions are in inches.

**JOB NAME:**

**SUBMITTED BY:**