

PRODUCT FEATURES

- Louvers individually adjustable
- Optional stainless steel opposed blade volume control damper, face operated (OBD)
- Countersunk screw holes and stainless steel screws
- Single piece construction up to 48" x 48"

CONSTRUCTION DETAILS

- Material:** 20 GA 304 stainless steel (std)
 20 GA 316 stainless steel (opt)
Finish: Satin polish (std)

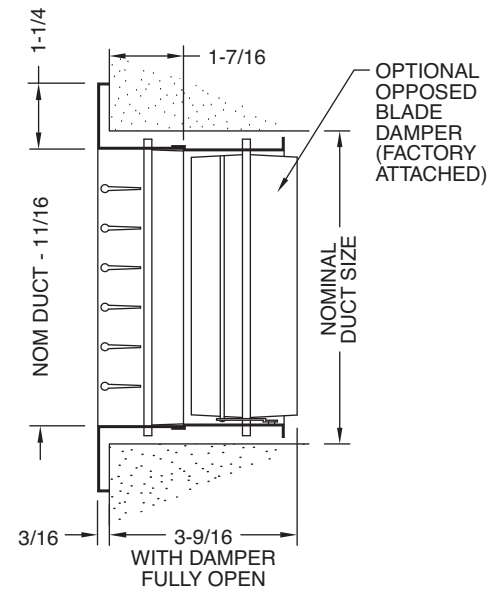
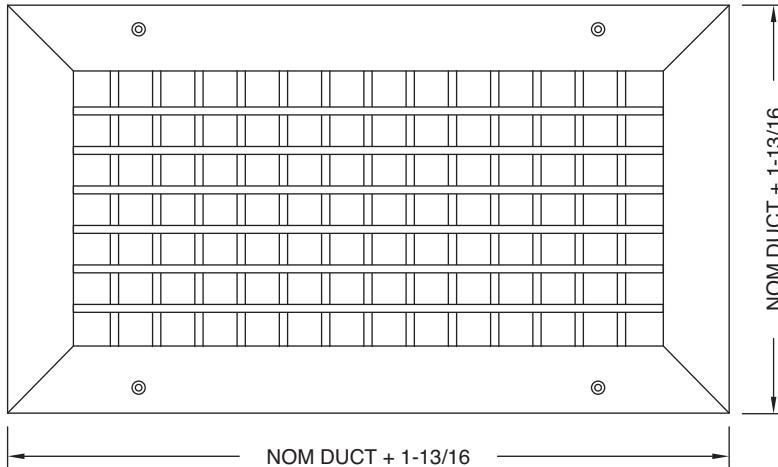
Models

- 20S** 3/4" Blade Spacing, Short Blades
 25S 1/2" Blade Spacing, Short Blades
 20L 3/4" Blade Spacing, Long Blades
 25L 1/2" Blade Spacing, Long Blades

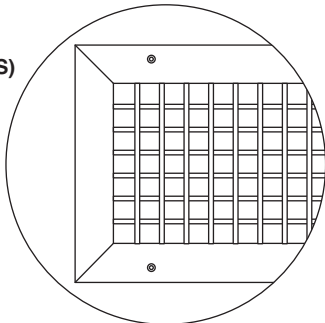
Accessories

- OB** Opposed Blade Damper

LONG BLADES SHOWN (L)



SHORT BLADES (S)



All dimensions are in inches.

JOB NAME:

SUBMITTED BY: