



RFLG (VAV) Perimeter Linear Diffuser Series

Anemostat's Model RFLG Perimeter Linear Diffusers compliment architectural interiors with linear aluminum bar grilles and a flush fit along the curtain wall. The RFLG features a long lasting VAV module with a Siemens 24V actuator control for high efficiency and lower construction costs with a positive pressure floor plenum. They are engineered to specifically target solar loads and heat loss at the glazing.

APPLICATIONS:

- Offices
- Conference Rooms
- Training Centers
- Libraries
- Auditoriums
- Casinos
- Museums



www.anemostat-hvac.com

RFLG Perimeter Diffuser (48" or 60")

- 150 CFM to 180 CFM with VAV module & Siemens actuator control
- 48" (1220mm) or 60" (1524mm) with 2 linear grille spacing options
- Accommodates hydronic fin tube or electric fin element (see data sheet)
- Continuous aluminum linear grille available in clear anodized finish
- Custom powder coated grille colors available

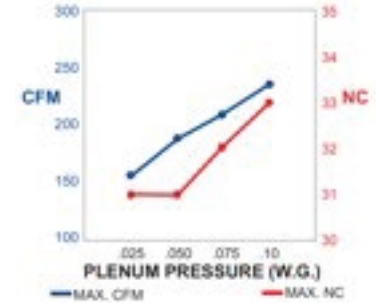
RFLG (48")

(VAV Controlled)

PERFORMANCE DATA:

Duct WG

	.025" wg	.050" wg	.075" wg	.10" wg
MAX CFM	155	180	210	237
NC MAX (noise coefficient)	< 30	< 30	< 30	< 30
Nominal Dimensions	48" L (120.2 cm) x 8"W (20.3cm) x 10"H x (25.4cm)			



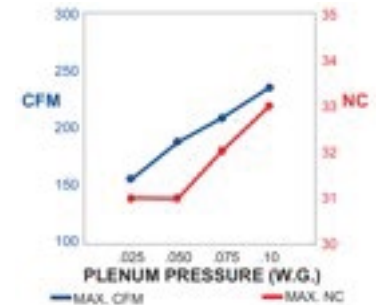
RFLG (60")

(VAV Controlled)

PERFORMANCE DATA:

Duct WG

	.025" wg	.050" wg	.075" wg	.10" wg
MAX CFM	155	180	210	237
NC MAX (noise coefficient)	< 30	< 30	< 30	< 30
Nominal Dimensions	60" L (152.4 cm) x 8"W (20.3cm) x 10"H x (25.4cm)			

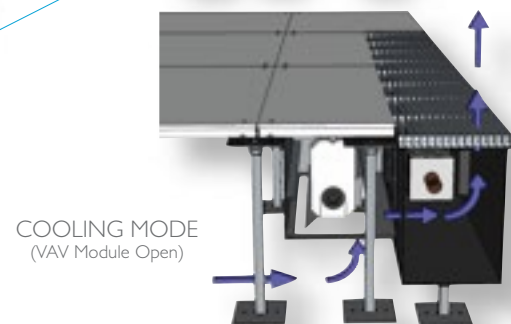
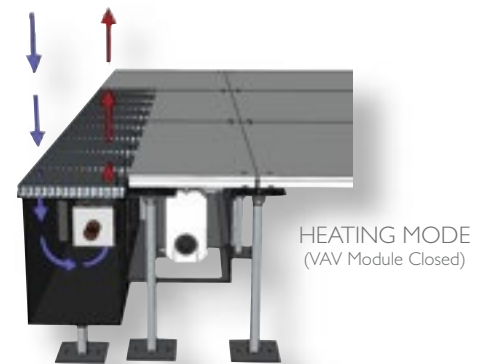
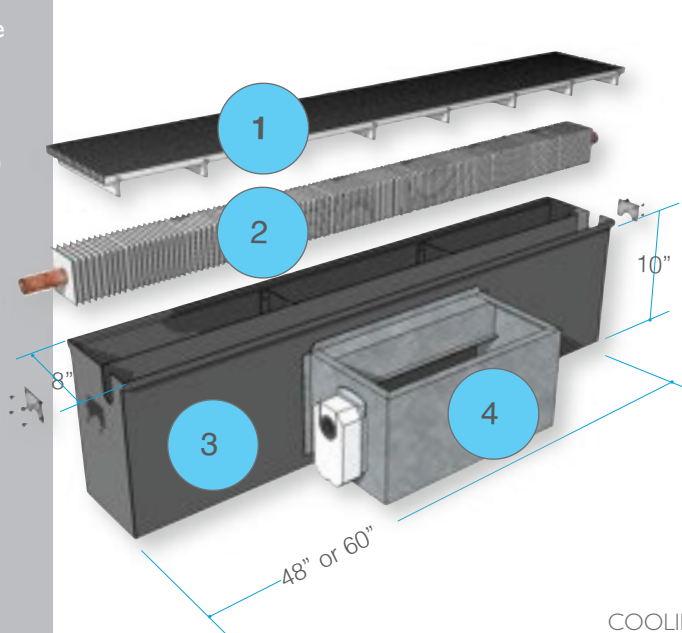


PRODUCT DETAILS:

1. Linear Aluminium Grille
2. Water or Electric Heating module (see data sheet for options)
3. 18 GA. Diffuser Chasis (satin coat)
4. VAV Module with Siemens 24VAC Actuator



SIEMENS 24VAC ACTUATOR CONTROLS



www.anemostat-hvac.com

1220 E Watson Center Road • Carson, California 90745 • Tel: 310-835-7500 • E-mail: air@anemostat.com

RFLG Perimeter Diffuser (72")

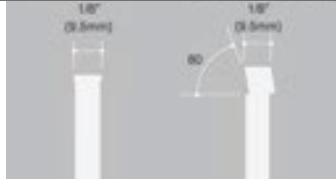
- 250 CFM with options of VAV controlled heat/cool or cool only
- 72" (1220mm) length to work with Access Floor Panel modules
- Optional hydronic fin tube or electric fin element (see data sheet)
- Continuous aluminum linear grille available in clear anodized finish with 2 vane options
- Custom powder coated grille colors available.

RFLG (72")

PERFORMANCE DATA:

Nominal Dimensions:

PLENUM PRESSURE	.050" wg
*AIR FLOW, CFM	250
NC MAX (noise coefficient)	< 30



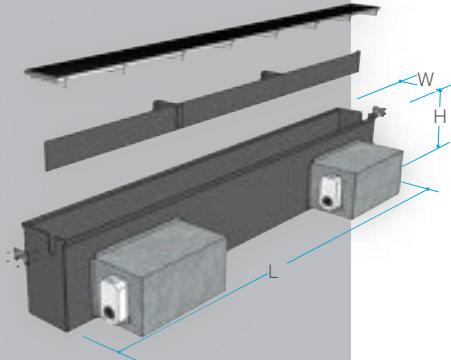
* NOTE: Actual CFM will be dependent on the diffuser grille open area. See LG8 Data Sheet for linear grille specifications, vane spacing and performance data.

Length:	72" (183cm)
Width:	8" (20.3cm)
Height:	10" (25.4cm)

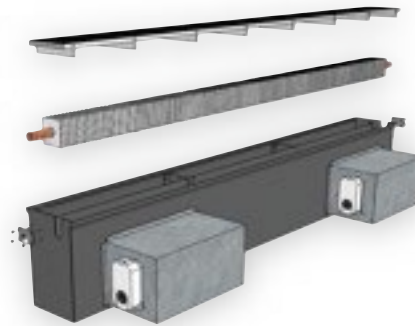
STRAIGHT VANE DIRECTIONAL VANE

PRODUCT OPTIONS:

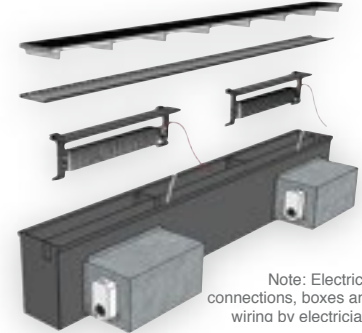
COOL / HEAT - OPTIONAL BAFFLE
(No heating element - baffle optional)



COOL / HEAT - HYDRONIC ELEMENT
(baffle included)



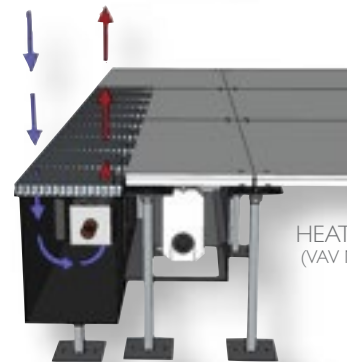
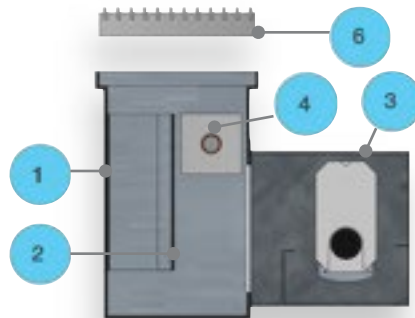
COOL / HEAT _ ELECTRIC ELEMENTS
(2 Electric elements w /baffle & diffuser plate)



Note: Electrical connections, boxes and wiring by electrician.

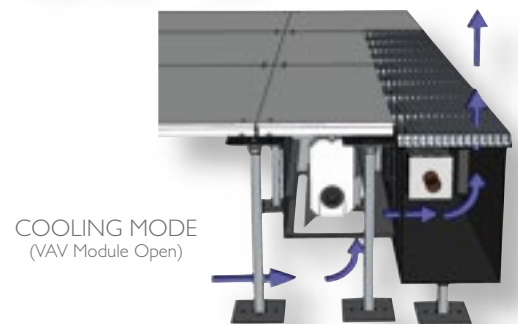
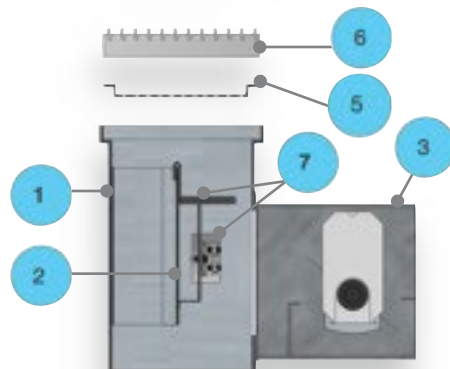
1. Diffuser chassis 18 ga. steel with satin finish
2. Separation Baffle
3. VAV Inlet w/ 24V Seimens actuator
4. Optional Hydronic Heat Fin Element - see Data Sheet for options.
5. Perforated Diffuser Plate - required for electric heat applications.
6. Linear Aluminium Grille Diffuser - nominal 8" wide.
7. Electric Fin Element - see Data Sheet for options.

HYDRONIC HEAT - "FIN TUBE"



HEATING MODE
(VAV Module Closed)

ELECTRIC HEAT - "FIN ELEMENT"



COOLING MODE
(VAV Module Open)



Anemostat
AIR DISTRIBUTION

www.anemostat-hvac.com

1220 E Watson Center Road • Carson, California 90745 • Tel: 310-835-7500 • E-mail: air@anemostat.com