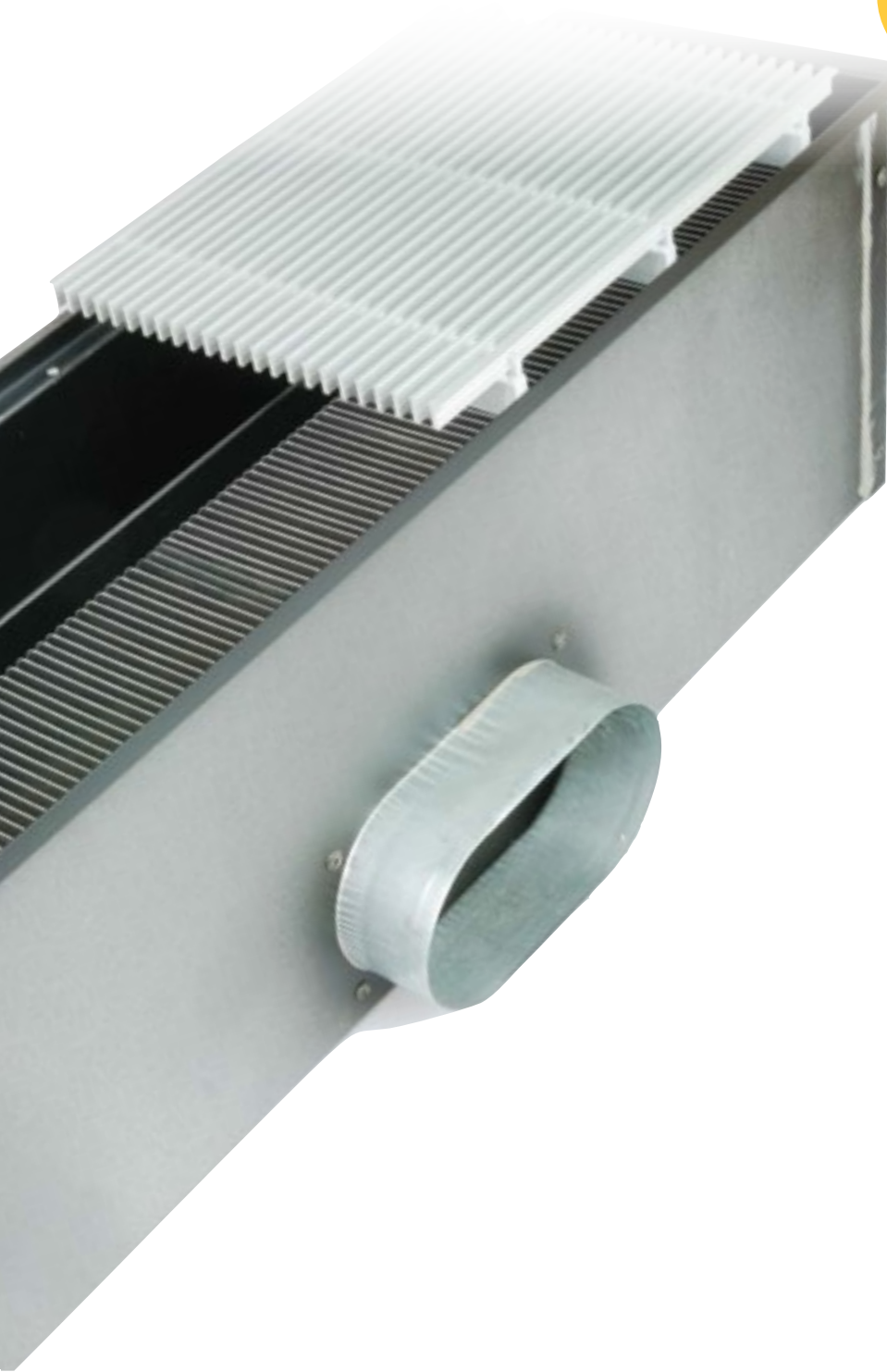




Anemostat®
AIR DISTRIBUTION



RFLG (Ducted) Perimeter Linear Diffuser Series

Anemostat's Model RFLG Perimeter Linear Diffusers compliment architectural interiors with linear aluminum bar grilles and a flush fit along the curtain wall. They are engineered to specifically target solar loads and heat loss at curtain wall and building perimeter conditions. RFLG include a duct sleeve for connections to fan terminal units.

APPLICATIONS:

- Offices
- Conference Rooms
- Training Centers
- Libraries
- Auditoriums
- Casinos
- Museums



www.anemostat-hvac.com

RFLG Perimeter Diffuser (48" or 60")

- 180 CFM
- 48" (1220mm) or 60" (1524mm)
- Accommodates hydronic fin tube or electric fin element (see data sheet)
- Continuous aluminum linear grille available in clear anodized finish
- Custom powder coated grille colors available

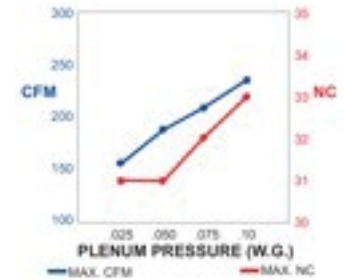
RFLG (48")

PERFORMANCE DATA:

(Ducted)

Duct WG

	.025" wg	.050" wg	.075" wg	.10" wg
MAX CFM	155	180	210	237
NC MAX (noise coefficient)	< 30	< 30	< 30	< 30
Nominal Dimensions	48" L (120.2 cm) x 8"W (20.3cm) x 10"H x (25.4cm)			



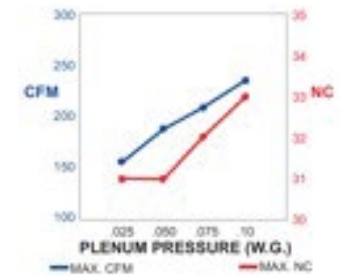
RFLG (60")

PERFORMANCE DATA:

(Ducted)

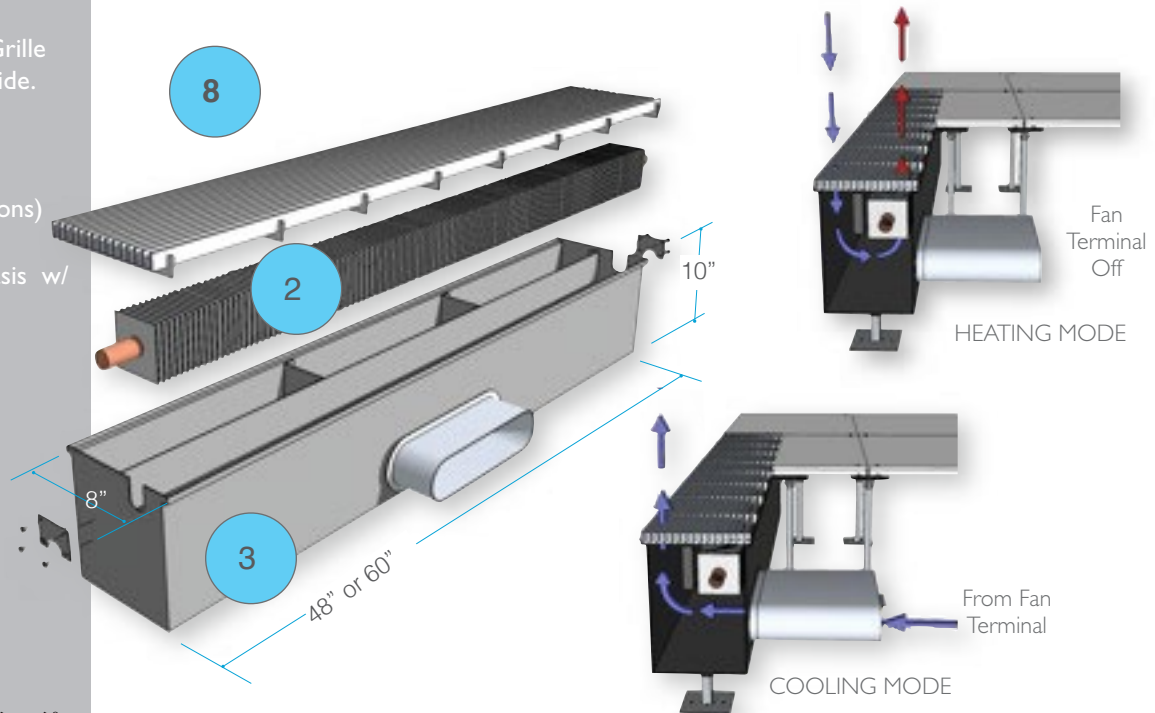
Duct WG

	.025" wg	.050" wg	.075" wg	.10" wg
MAX CFM	155	180	210	237
NC MAX (noise coefficient)	< 30	< 30	< 30	< 30
Nominal Dimensions	60" L (152.4 cm) x 8"W (20.3cm) x 10"H x (25.4cm)			



PRODUCT DETAILS:

1. Linear Aluminium Grille Diffuser - nominal 8" wide.
2. Water or Electric Heating Module (see data sheet for options)
3. 18 GA. Diffuser Chasis w/ oval duct inlet



www.anemostat-hvac.com

1220 E Watson Center Road • Carson, California 90745 • Tel: 310-835-7500 • E-mail: air@anemostat.com

RFLG Perimeter Diffuser (72")

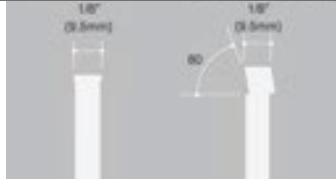
- 250 CFM with options of ducting heat/cool or cool only
- 72" (1220mm) length to work with Access Floor Panel modules
- Optional hydronic fin tube or electric fin element (see data sheet)
- Continuous aluminum linear grille available in clear anodized finish with 2 vane options
- Custom powder coated grille colors available

RFLG (72")

PERFORMANCE DATA:

Nominal Dimensions:

PLENUM PRESSURE	.050" wg
*AIR FLOW, CFM	250
NC MAX (noise coefficient)	< 30



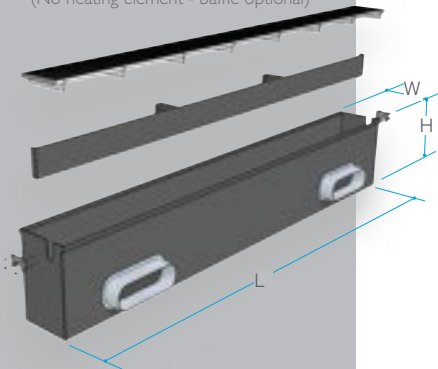
* NOTE:
Actual CFM will be dependent on the diffuser grille open area. See LG8 Data Sheet for linear grille specifications, vane spacing and performance data.

Length:	72" (183cm)
Width:	8" (20.3cm)
Height:	10" (25.4cm)

STRAIGHT VANE DIRECTIONAL VANE

PRODUCT OPTIONS:

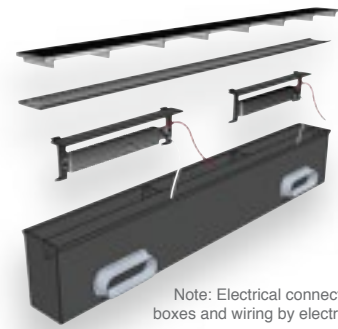
COOL / HEAT - OPTIONAL BAFFLE
(No heating element - baffle optional)



COOL / HEAT - HYDRONIC ELEMENT
(baffle included)



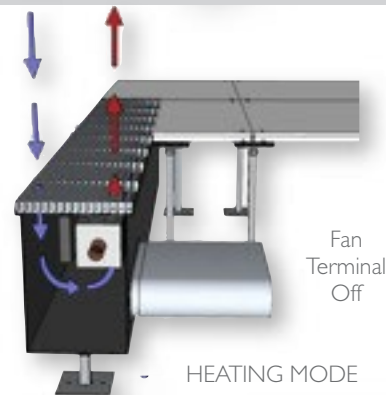
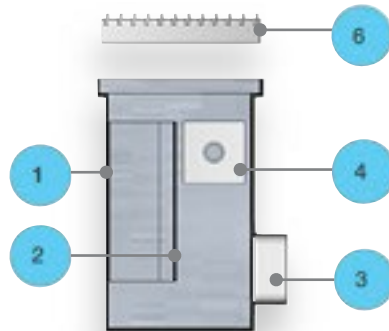
COOL / HEAT _ ELECTRIC ELEMENTS
(2 Electric elements w /baffle & diffuser plate)



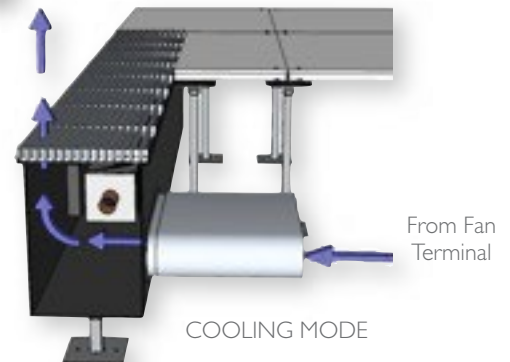
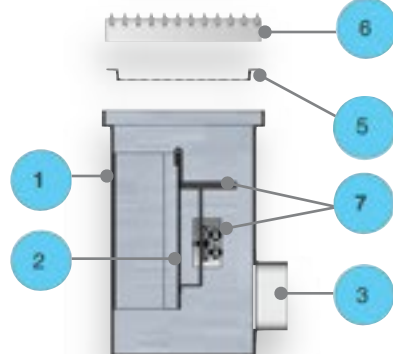
Note: Electrical connections, boxes and wiring by electrician.

1. Diffuser chassis 18 ga. steel with satin finish
2. Separation Baffle
3. Duct Inlet
4. Optional Hydronic Heat Fin Element - see Data Sheet for options.
5. Perforated Diffuser Plate - required for electric heat applications.
6. Linear Aluminium Grille Diffuser - nominal 8" wide.
7. Electric Fin Element - see Data Sheet for options.

HYDRONIC HEAT - "FIN TUBE"



ELECTRIC HEAT - "FIN ELEMENT"




Anemostat[®]
AIR DISTRIBUTION

www.anemostat-hvac.com

1220 E Watson Center Road • Carson, California 90745 • Tel: 310-835-7500 • E-mail: air@anemostat.com