



Anemostat® SUBMITTAL

1220 Watson Center Road • Carson, CA 90745-4206
(310) 835-7500 • FAX (310) 835-0448
air@anemostat.com • www.anemostat-hvac.com

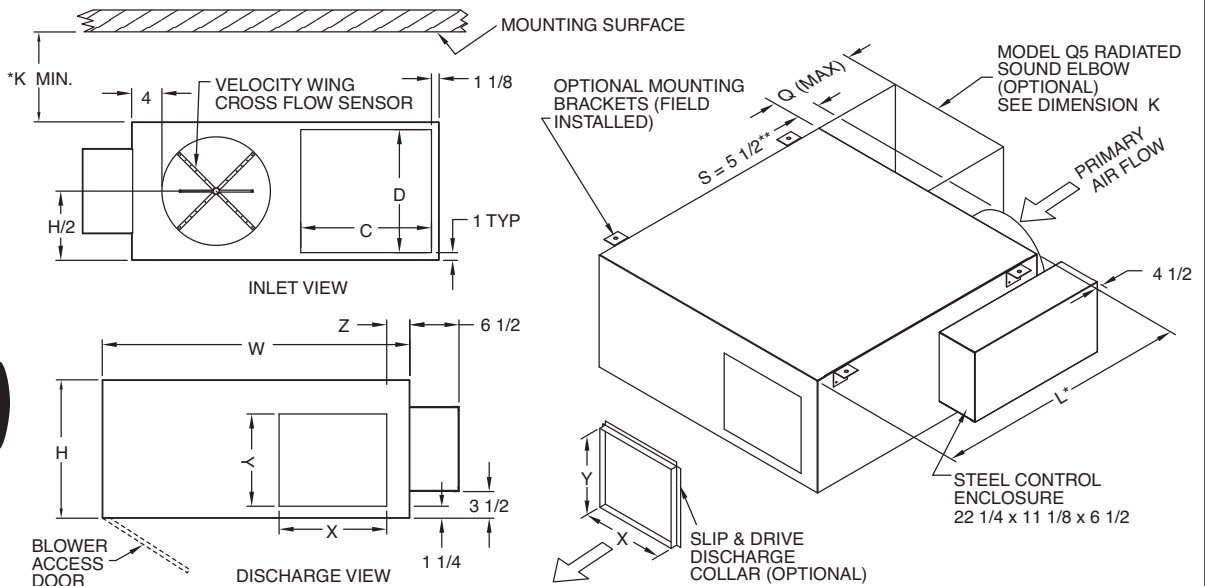
**ECM
Technology**

Model **QPTS** PARALLEL FAN POWERED AIR TERMINAL BASIC ASSEMBLY WITH ECM MOTOR OPTION

AIR TERMINALS

PRODUCT FEATURES

- AHRI 880 certified / ETL listed (UL 1995).
- Optional: Q5 Induction Port Sound Elbow
- Single point electrical connection.
- Swing-down blower access panel:
 - Size 1 cabinet 8" vertical clearance for removal, 15-1/2" for 90 degree swing
 - Size 2 cabinet 11" vertical clearance for removal, 17-1/2" for 90 degree swing
 - Size 3 cabinet 10" vertical clearance for removal, 21-1/2" for 90 degree swing
- Steel control enclosure Screw attached cover Hinged front cover
- High-efficiency, Energy Saving EC motor.
- Fan Motor Voltage: 120v,1ø 277v,1ø 240v,1ø
- Solid state speed controls for stand alone operation or BAS integration.
- Rigid 20 gauge zinc-coated steel construction.
- 1" dual density insulation (NFPA 90A & UL 181).
 - Optional:
 - 1/2" 1" foil-faced glass fiber insulation
 - metal taped edges (ASTM C665)
 - Double wall construction (22 gauge steel & 1/2" insulation is standard)
 - Lo-Temp casing construction (1" insulation is standard)
 - 3/8" fiber-less closed cell foam insulation (NFPA255, UL181)
 - No insulation
- 90° inlet damper with leak resistant perimeter seal limiting leakage to <1% of max rated flow at 3" w.g. inlet static pressure.
- Multi-Point center averaging Velocity Wing air flow sensor for accuracy to ± 5% of design flow. Flow taps for air flow measurement provided with factory mounted controls. 3/8" OD sensor lines when controls are field installed.
- Accepts flanged discharge duct connection.
 - Optional: Slip & drive cleat discharge collar
- Left hand control position.
- Optional Accessories:
 - 1" Throw-away filter & filter rack
 - Unit mounting brackets (field installed)
 - Disconnect switch, line voltage
 - Power fusing, line voltage
 - Electric actuator, 24vac 3-wire tri-state
 - Transformer, 24vac, 40va
- Control System Electronic Analog Digital Pneumatic Electric
 - None – No controls
- Control Package _____ Field Installed Controls



Model QPTS Size	Cabinet Size	ECM Motor H.P.	Nominal Inlet Diameter	H	W	L	Min. K	Discharge			Induction			Est. Wt. LB
								X	Y	Z	C	D	Q	
11706, 11707, 11708, 11709	1	1/3	6, 7, 8, 9	15	34	30	6	11-1/2	11	3	13	12	18	83
12506, 12507, 12508, 12509	1	1/3	6, 7, 8, 9	15	34	30	6	11-1/2	11	3	13	12	18	86
21709, 21710, 21712	2	1/3	9, 10, 12	18	40	34	6	14	12	3	17	16	18	100
22509, 22510, 22512	2	1/3	9, 10, 12	18	40	34	6	14	12	3	17	16	18	105
25009, 25010, 25012	2	1/2	9, 10, 12	18	40	34	6	14	12	3	17	16	18	110
35012, 35014, 35016	3	1/2	12, 14, 16	20	46	40	8	19	16	2-1/4	21	18	20	134
37512, 37514, 37516	3	3/4	12, 14, 16	20	46	40	8	19	16	2-1/4	21	18	20	139
31012, 31014, 31016	3	1	12, 14, 16	20	46	40	8	19	16	2-1/4	21	18	20	146

Notes:

- Weights are an estimation and will vary based on selection options, insulation type, etc.
- Add 1" to L dimension and **reduce dimension S to 4 1/2" for double wall and low temperature option.

* K dimension required with optional Q5 sound elbow

All dimensions are in inches.

JOB NAME:

SUBMITTED BY: