



Anemostat® SUBMITTAL

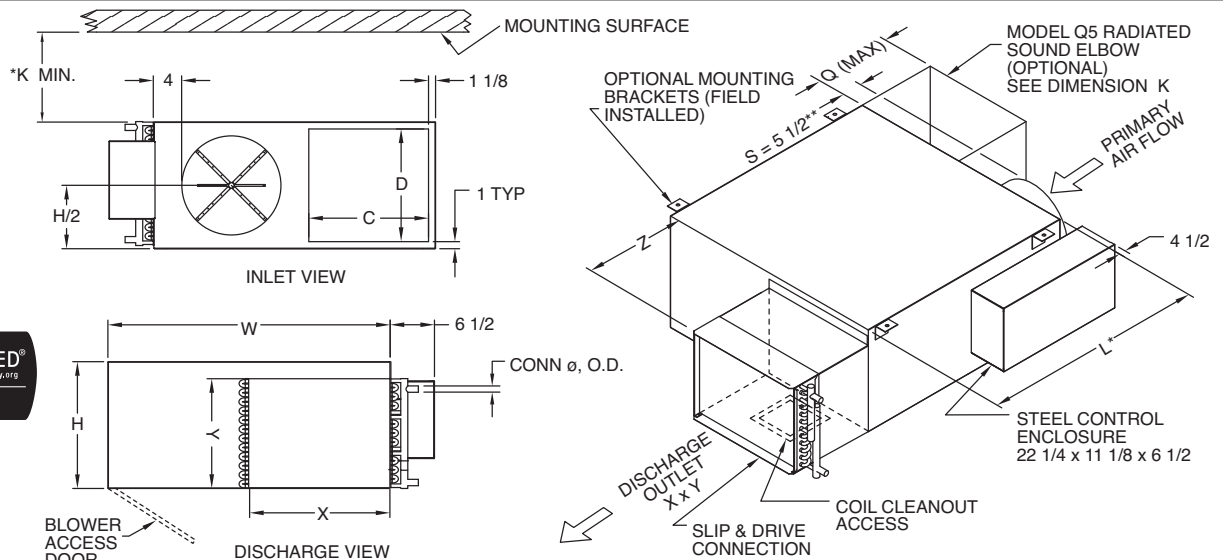
1220 Watson Center Road • Carson, CA 90745-4206
(310) 835-7500 • FAX (310) 835-0448
air@anemostat.com • www.anemostat-hvac.com

Model QPTW PARALLEL FAN POWERED AIR TERMINAL WITH HOT WATER HEATING COIL

AIR TERMINALS

PRODUCT FEATURES

- AHRI 880 certified / ETL listed (UL 1995).
- Optional: Q5 Induction Port Sound Elbow
- Single point electrical connection.
- Swing-down blower access panel:
 - Size 1 cabinet 8" vertical clearance for removal, 15-1/2" for 90 degree swing
 - Size 2 cabinet 11" vertical clearance for removal, 17-1/2" for 90 degree swing
 - Size 3 cabinet 10" vertical clearance for removal, 21-1/2" for 90 degree swing
- 1 or 2 row hot water coils with 1/2" o.d. copper tubes thru aluminum corrugated fins @ 10 per inch. Choice of right hand or left hand connection position.
- Steel control enclosure Screw attached cover Hinged front cover
- 3 speed permanent split capacitor motor with thermal overload protection.
- Fan Motor Voltage: 120v,1ø 277v,1ø 208v,1ø 240v,1ø
- Solid state speed controller with minimum voltage stop.
- Rigid 20 gauge zinc-coated steel construction.
- 1" dual density insulation (NFPA 90A & UL 181).
- Optional:
 - 1/2" 1" foil-faced glass fiber insulation
 - metal taped edges (ASTM C665)
 - Double wall construction (22 gauge steel & 1/2" insulation is standard)
 - Lo-Temp casing construction (1" Insulation is standard)
 - 3/8" fiber-less closed cell foam insulation (NFPA255, UL181)
 - No insulation
- 90° inlet damper with leak resistant perimeter seal limiting leakage to <1% of max rated flow at 3" w.g. inlet static pressure.
- Multi-Point center averaging Velocity Wing air flow sensor for accuracy to ± 5% of design flow. Flow taps for air flow measurement provided with factory mounted controls. 3/8" OD sensor lines when controls are field installed.
- Accepts slip & drive cleat discharge duct connection
- Left hand control and heater cabinet position.
- Optional Accessories:
 - 1" Throw-away filter & filter rack
 - Unit mounting brackets (field installed)
 - Disconnect switch, line voltage
 - Power fusing, line voltage
 - Fan relay, 24vac (for use with DDC controls)
 - Electric actuator, 24vac 3-wire tri-state
 - Transformer, 24vac, 40va
- Control System Electronic Analog Digital Pneumatic Electric None – No controls
- Control Package _____ Field Installed Controls



Model QPTW Size	Cabinet Size	Motor H.P.	Nominal Inlet Diameter	H	W	L	Min. K	Discharge				1 ROW COIL			2 ROW COIL			
								X	Y	C	D	Q	Z	LB	CONN ø	Z	LB	CONN ø
11706, 11707, 11708, 11709	1	1/6	6,7,8,9	15	34	30	6	16	15	13	12	18	12-1/4	99	7/8	13-1/2	103	1/2
12506, 12507, 12508, 12509	1	1/4	6,7,8,9	15	34	30	6	16	15	13	12	18	12-1/4	102	7/8	13-1/2	106	1/2
21709, 21710, 21712	2	1/6	9,10,12	18	40	34	6	20	17-1/2	17	16	18	12-1/4	114	7/8	13-1/2	117	7/8
22509, 22510, 22512	2	1/4	9,10,12	18	40	34	6	20	17-1/2	17	16	18	12-1/4	119	7/8	13-1/2	122	7/8
25009, 25010, 25012	2	1/2	9,10,12	18	40	34	6	20	17-1/2	17	16	18	12-1/4	124	7/8	13-1/2	127	7/8
35012, 35014, 35016	3	1/2	12,14,16	20	46	40	8	24	17-1/2	21	18	20	12-1/4	154	7/8	13-1/2	160	7/8
37512, 37514, 37516	3	3/4	12,14,16	20	46	40	8	24	17-1/2	21	18	20	12-1/4	159	7/8	13-1/2	165	7/8
31012, 31014, 31016	3	1	12,14,16	20	46	40	8	24	17-1/2	21	18	20	12-1/4	166	7/8	13-1/2	172	7/8

Notes:

- Weights are an estimation and will vary based on selection options, insulation type, etc.
- Add 1" to L dimension and **reduce dimension S to 4 1/2" for double wall and low temperature option.
- K dimension required with optional Q5 sound elbow

All dimensions are in inches.

JOB NAME:

SUBMITTED BY: