

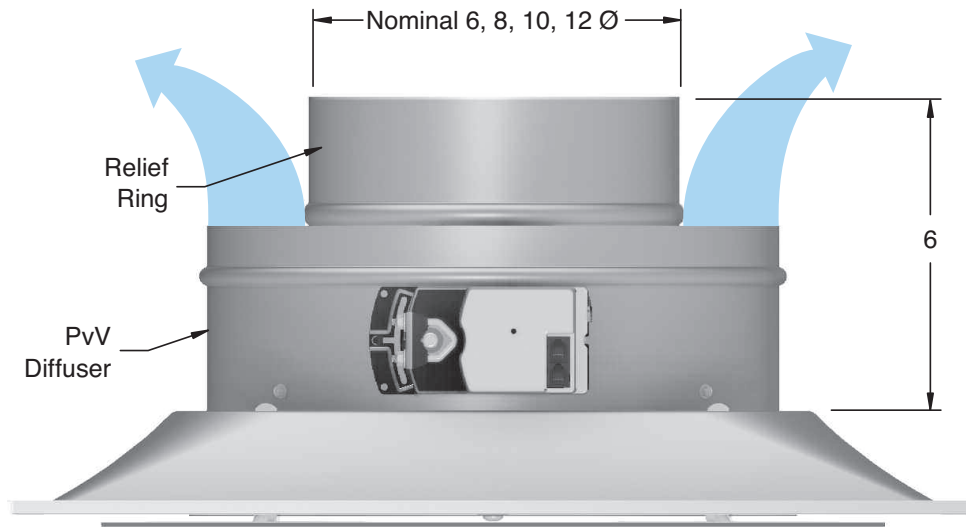
**PRODUCT FEATURES**

- Economical means to relieve excess duct pressure as PvV diffusers modulate.
- Used with ceiling plenum returns when there is no pressure control for the supply air duct system.
- Attaches to the PvV diffuser inlet collar (ships loose).
- Available for supply duct sizes 6", 8", 10", 12".

**CONSTRUCTION DETAILS**

**Material:** Cold Rolled Steel (**std**)

- Aluminum (opt)
- 304 Stainless Steel (opt)



All dimensions are in inches.

**JOB NAME:**

**SUBMITTED BY:**