

PRODUCT FEATURES

- Adjustable volume and pattern controllers
- Flat face with radiused end caps
- Mounting brackets and screws provided (field installed)

CONSTRUCTION FEATURES

- Material:**
Extruded aluminum
- Finish:**
- Arctic White (Black Pattern/Volume Controllers)
 - Natural Anodize (Black Pattern/Volume Controllers)
 - Custom Color : _____

SUPPLY MODELS

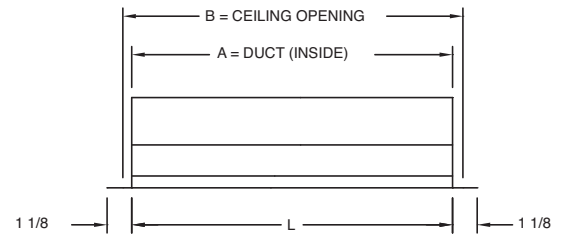
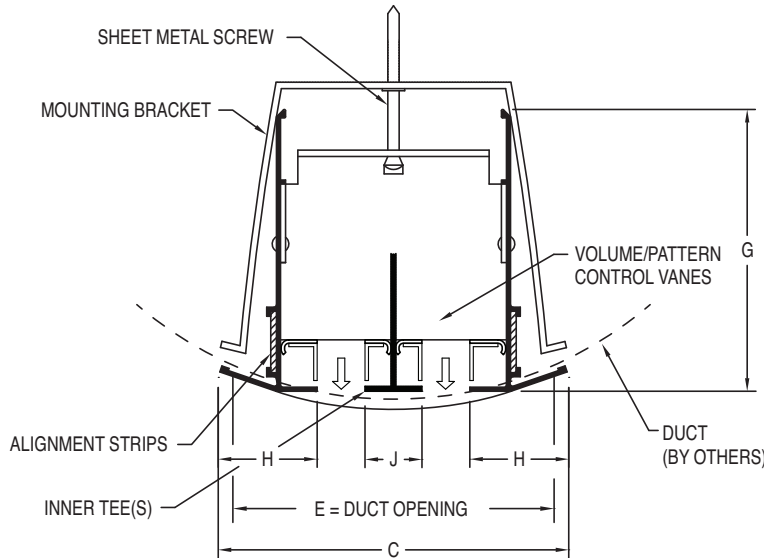
- PJ-DM-100** 1" Slot Width (1-4 slots)
- PJ-DM-150** 1-1/2" Slot Width (1-4 slots)
- PJ-DM-200** 2" Slot Width (1-4 slots)
- PJ-DM-250** 2-1/2" Slot Width (1-2 slots)
- PJ-DM-300** 3" Slot Width (1-2 slots)

RETURN MODELS (No Internal Controllers)

- PJR-DM-100** 1" Slot Width (1-4 slots)
- PJR-DM-150** 1-1/2" Slot Width (1-4 slots)
- PJR-DM-200** 2" Slot Width (1-4 slots)
- PJR-DM-250** 2-1/2" Slot Width (1-2 slots)
- PJR-DM-300** 3" Slot Width (1-2 slots)

OPTIONS

- LEC** Linear Egg Crate
- LED** Linear Equalizing Deflector



"L" - NOMINAL LENGTH (ACTUAL LENGTH)
 "A" - LENGTH OF DUCT (NOMINAL LENGTH + 1/4)
 "B" - LENGTH OF CEILING OPENING (NOMINAL LENGTH + 1/2)

PJ-100-DM (1" SLOT WIDTH)						
# SLOTS	C	E	H	J	G	MIN DUCT Φ
1	3-1/2	2-3/8	1-1/4	-	2-1/16	7
2	5-1/2	4-3/8	1-1/4	1	2-1/16	12
3	7-1/2	6-3/8	1-1/4	1	2-1/16	16
4	9-1/2	8-3/8	1-1/4	1	2-1/16	20

PJ-200-DM (2" SLOT WIDTH)						
# SLOTS	C	E	H	J	G	MIN DUCT Φ
1	5-1/2	4-3/8	1-3/4	-	2-5/8	12
2	9-1/2	8-3/8	1-3/4	2	2-5/8	20
3	13-1/2	12-3/8	1-3/4	2	2-5/8	28
4	17-1/2	16-3/8	1-3/4	2	2-5/8	34

PJ-150-DM (1-1/2" SLOT WIDTH)						
# SLOTS	C	E	H	J	G	MIN DUCT Φ
1	4-1/2	3-3/8	1-1/2	-	2-9/16	10
2	7-1/2	6-3/8	1-1/2	1-1/2	2-9/16	16
3	10-1/2	9-3/8	1-1/2	1-1/2	2-9/16	22
4	13-1/2	12-3/8	1-1/2	1-1/2	2-9/16	28

PJ-250-DM (2-1/2" SLOT WIDTH)						
# SLOTS	C	E	H	J	G	MIN DUCT Φ
1	6-1/2	5-3/8	2	-	3-3/32	12
2	11-1/2	10-3/8	2	2-1/2	3-3/32	22

PJ-300-DM (3" SLOT WIDTH)						
# SLOTS	C	E	H	J	G	MIN DUCT Φ
1	7	6-3/8	2	-	3-7/32	14
2	13	12-3/8	2	3	3-7/32	28

*Approximate

All dimensions are in inches.

JOB NAME:

SUBMITTED BY: